

SINGLE POLE CONNECTORS

75 A ►► 250 A

CS

Bayonet contact system
Self-cleaning contacts
GRP casing

400 A

DSP400

IP66/IP67
GRP or metal casing

400 A

CS1000

IP66/IP67
Visual and mechanical coding
Padlocking ring
GRP casing



MODEL	CURRENT	U MAX AC	MAX. NUM. AUX./PIL.
CS2	150A	50 V (Extra LV)	/
CS3	250A	50 V (Extra LV)	/
DSP400	400 A	1 000 V	2 PIL.
CS1000	400 A	1 000 V	/
SP	700 A	1 000 V	2 PIL.
DSP1250	1250 A	1 000 V	2 PIL.

700 A

SP

IP66/IP67

Visual and mechanical coding

Electromechanical interlocking system

Overmoulded GRP on metal casing



1250 A

DSP1250

IP66/IP67

Metal casing



SINGLE POLE

DOWNLOAD ALL TECHNICAL SHEETS ON OUR
WEBSITE MARECHAL.COM

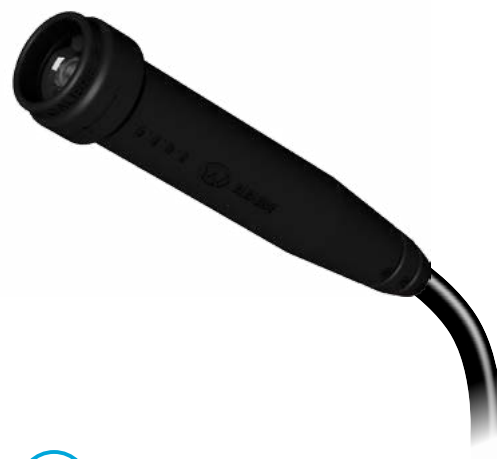
SELECTION GUIDE

MATERIAL	IP	IK	PAGE
POLY	NA	IK08	112
POLY	NA	IK08	112
POLY METAL	IP66/IP67	IK09	116
POLY	IP66/IP67	IK08	122
POLY	IP66/IP67	IK09	128
METAL	IP66/IP67	IK10	132

75 A → 250 A

50 V (EXTRA LV)
U MAXI

SINGLE POLE POWER CONNECTOR CS



See below



GRP



IK08



-20° C
+60° C

OTHER FEATURES

Type CS	Wire cross-section (mm ²)	In rated current (A)	I max welding cycle (A) (A)	
			60 %	30 %
CS2	16	75	100	150
	25	100	125	200
	35	125	150	250
	50	150	200	300
CS3	50	150	200	300
	70	200	250	350
	95	250	300	400

* Definition of 30% welding cycle: on a 5 min cycle, 30% of the time working (i.e. 1 min 30 s) and 70% off (i.e. 3 min 30 s).

INLET
male with lug



PLUG
male with lug



	CS2	CS3	CS2	CS3
Wire cross-section (mm ²)				
16	4 2901 016		4 0201 016	
25	4 2901 030		4 0201 030	
35	4 2901 040		4 0201 040	
50	4 2901 050	4 3901 050	4 0201 050	4 0301 050
70		4 3901 075		4 0301 075
95		4 3901 100		4 0301 100
Screw type	4 2901 121	4 3901 121		

SOCKET-OUTLET
female with lug



COUPLER SOCKET
female with lug



	CS2	CS3	CS2	CS3
Wire cross-section (mm ²)				
16	4 2401 016		4 2301 016	
25	4 2401 030		4 2301 030	
35	4 2401 040		4 2301 040	
50	4 2401 050	4 3401 050	4 2301 050	4 3301 050
70		4 3401 075		4 3301 075
95		4 3401 100		4 3301 100
Screw type	4 2401 121	4 3401 121		

ADDITIONAL COPPER LUGS

Lug choice depends on the cable : the cross-section of the flexible cable mentioned in the table below is for information only. Please check dimensions as these may vary according to cable types and manufacturers.

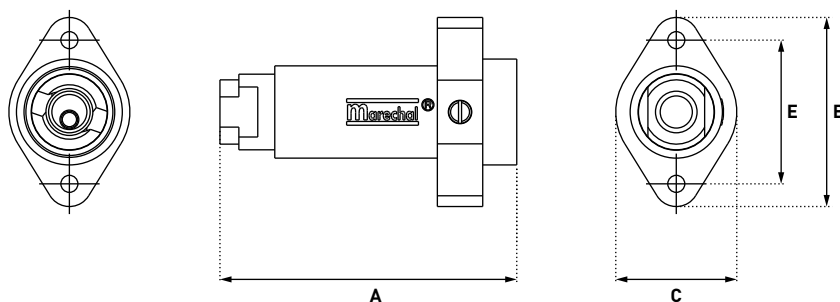


Wiring (mm ²)		Straight threaded M10*	Straight threaded M12*	Straight threaded M14*	Internal diameter (mm)
Flexible	Stranded	CS2	CS3 socket and coupler socket	CS3 connector and plug	
16	25	4 2301 416			6,6
25	35	4 2301 430			7,9
35	50	4 2301 440			9,2
50	70	4 2301 450	454A50D	4 3301 450	11
70	95		454A70D	4 3301 475	13,1
95	120		454A95D	4 3301 400	14,5

* Wiring with crimping lugs, according to NF C20-130 standard (for VDE 0220 standard, please contact us). Crimping: double hexagonal crimping is recommended.

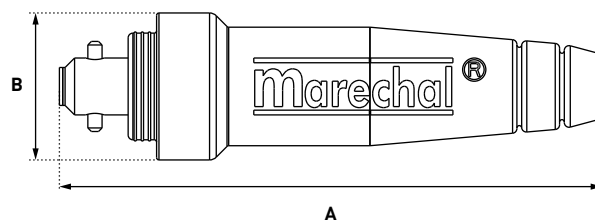
DRAWINGS AND DIMENSIONS

SOCKET OUTLET



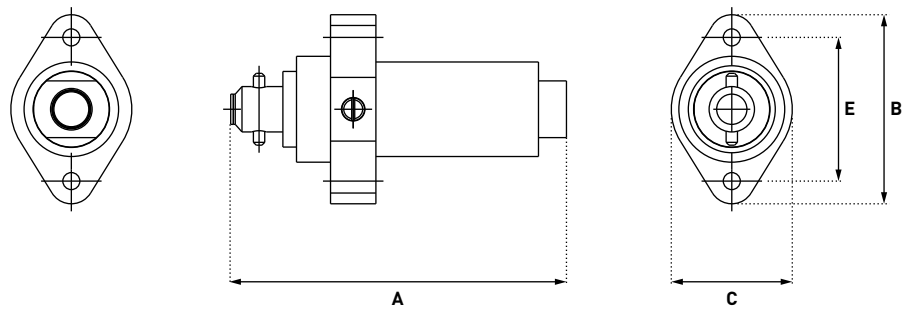
	A	B	C	E
CS2	79	50	32	38
CS3	103	60	44	44

PLUG



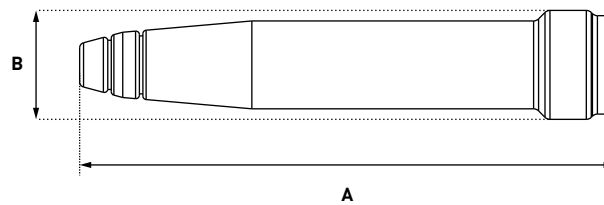
	A	B
CS2	115	31
CS3	157	38

CONNECTOR



	A	B	C	E
CS2	89	50	32	38
CS3	146	60	44	44

COUPLER SOCKET



	A	B
CS2	152	31
CS3	204	38

400 A 500 V

U MAXI

SINGLE POLE POWER CONNECTOR DSP400

NEW



V
500 V AC

IP66
IP67

50 - 240 mm² (1)
70 - 300 mm² (2)

GRP
METAL

IK09

-40 °C
+60 °C

+2 PIL.

[1] Flexible wiring (min.-max.).
[2] Stranded wiring (min.-max.).
300 mm² = 600 MCM.

OTHER FEATURES

Pre-wired pilot circuit (4 mm ²)	10A/400 V
Live part protection	IP4X
Keying positions	7, mechanical and visual

REFERENCES (UP TO 500 V AC)



SOCKET-OUTLET metal
DSP400
WITHOUT LUG

CONNECTOR metal
DSP400
WITHOUT LUG

SOCKET-OUTLET GRP
DSP400
WITHOUT LUG

CONNECTOR GRP
DSP400
WITHOUT LUG

Type	COLOR coding				
	Europe*				
L1	Brown	3964001	3968001	3164001	3168001
L2	Black	3964002	3968002	3164002	3168002
L3	Grey	3964003	3968003	3164003	3168003
Neutral	Blue	396400N	396800N	316400N	316800N
Earth	Green	396400T	396800T	316400T	316800T
Positive	Red	396400P	396800P	316400P	316800P
Negative	Black	396400M	396800M	316400M	316800M

For products above 500 V (up to 1000 V)

contact us

contact us

contact us

contact us

* The indicated references are valid for Europe and Japan. For other countries: add the suffix P80 for the USA/P67 for Australia and New Zealand/P40 for UK and South-Africa.

COPPER LUGS

Lug choice depends on the cable: the cross-section of the flexible cable mentioned in the table below is for information only. Please check dimensions as these may vary according to cable types and manufacturers.



Wiring (mm ²)		Straight with hole	Straight threaded M12	Internal diameter (mm)
Flexible	Stranded	Reference	Reference	
50	70	454A50C	454A50D	11
70	95	454A70C	454A70D	13,1
95	120	45AA95C	454A95D	14,5
120	150	454A12C	454A12D	16,2
150	185	454A15C	454A15D	18
185*	240*	454A18C	454A18D	20,6
240*	300*	454A24C	454A24D	23.1

For male contact, wiring with crimping lugs, according to NF C20-130 standard (for VDE 0220 standard, please contact us). Crimping: double hexagonal crimping is recommended.

* A spacer between the handle and the inlet is required for metal handles. Contact us for more details.

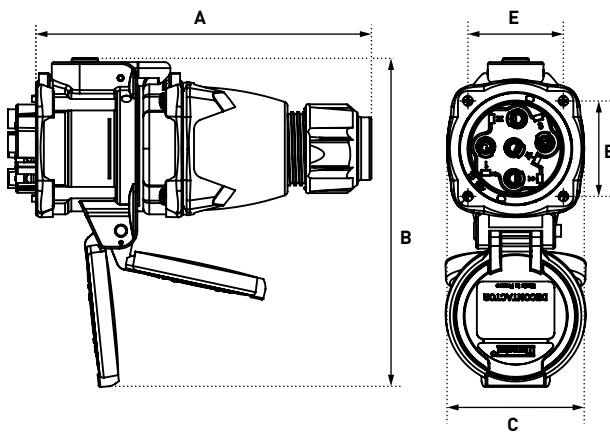


See available options and accessories on page 145.



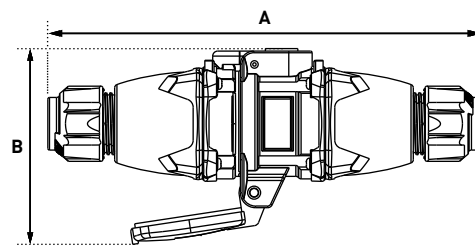
DRAWINGS AND DIMENSIONS

PLUG ON SOCKET-OUTLET



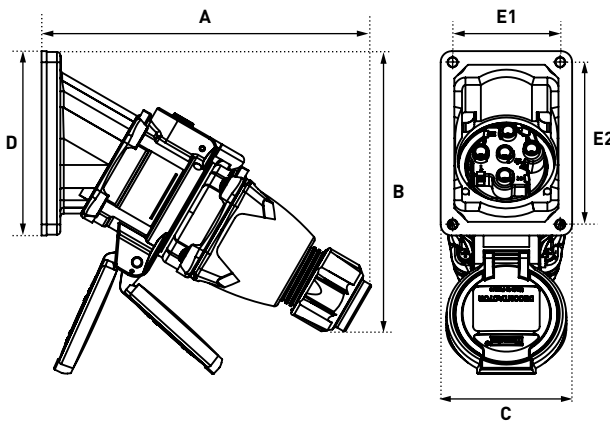
A	B	C	E
203	215	95	66

COUPLER



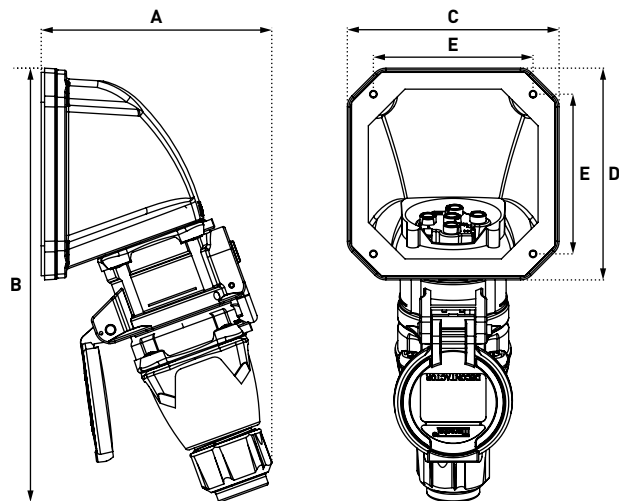
A	B
309	167

PLUG ON 30° INCLINED SOCKET-OUTLET



A	B	C	D	E1	E2
233	258	102	136	87	122

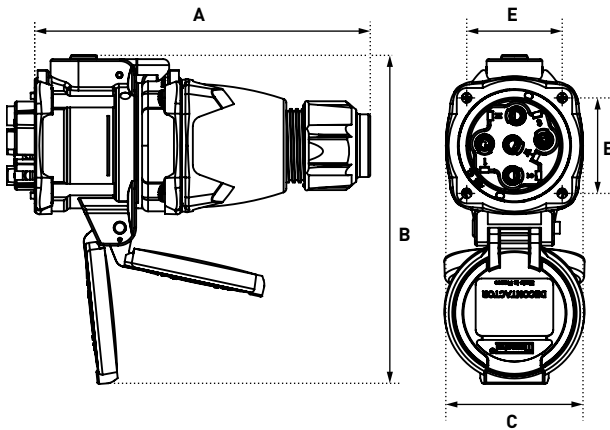
PLUG ON 70° INCLINED SOCKET-OUTLET



A	B	C	D	E
174	336	166	166	135

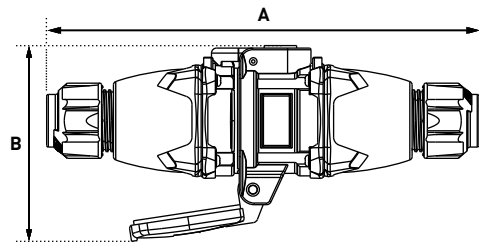
DRAWINGS AND DIMENSIONS

PLUG ON SOCKET-OUTLET



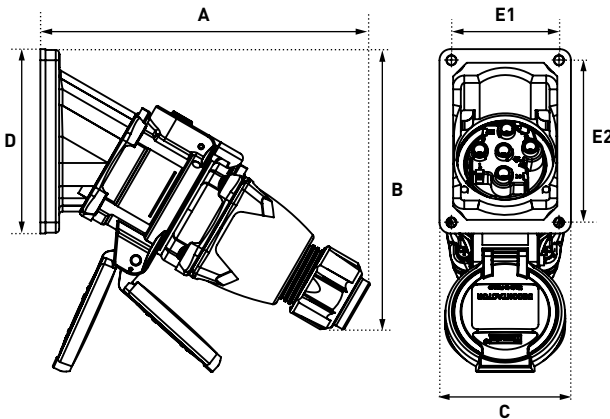
A	B	C	E
203	215	95	66

COUPLER



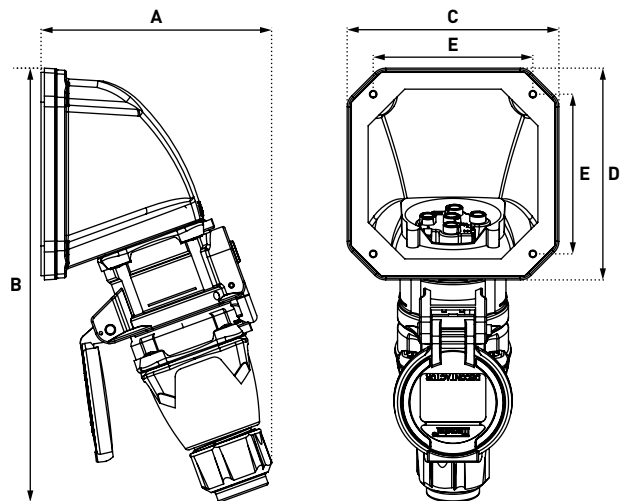
A	B
309	167

PLUG ON 30° INCLINED SOCKET-OUTLET



A	B	C	D	E1	E2
233	258	102	136	87	122

PLUG ON 70° INCLINED SOCKET-OUTLET



A	B	C	D	E
174	336	166	166	135

400 A

CS1000 SINGLE POLE CONNECTOR



CS1000

- are single pole connectors which are safe, reliable and provide a high level of performance for all high current applications. They withstand frequent overloads up to 4000 A that depend on operating cycle.
- Are robust connectors with outstanding durability.

CS1000 CONNECTORS COMPLY WITH:

- the European Directives Low Voltage, RoHS (affixing of CE marking), REACH European Regulation.



USA and North
America



Canada



Russia and Eurasia

PERFECT SAFETY

- Socket-outlet: IP2X finger protection, without cap,
- IP66/IP67 watertightness with cap ; or upon connection,
- Locking mechanism preventing disconnection by accident.

EASY CONNECTION

- Mechanical fool-proofing system between phases, neutral and earth,
- Standardised colour coding (according to local regulation),
- Replacable crimping lug in case of cable damage.

HIGH PERFORMANCE

- Thanks to its silver butt-contact technology the CS1000 connector withstands permanent current of 400 A/1 000 V AC or 1 500 V DC (wiring from 50 to 185 mm²).

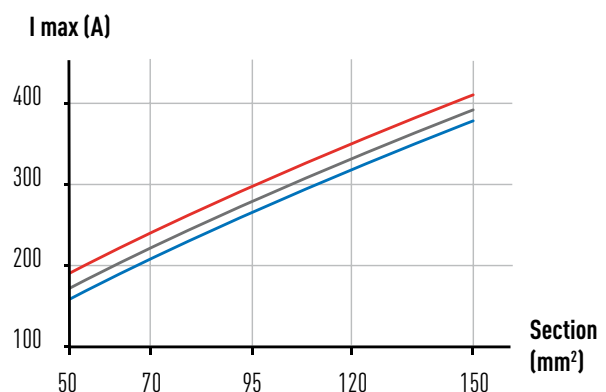
CS1000 CHARACTERISATION

Permanent permissible current for a H07RNF cable, at 30 °C ambient temperature

— Maximum permanent permissible current in the CS1000 after 2 000 operations depending on cable cross-section.

— Maximum permanent current specified by the cable manufacturers to maintain a conductor core temperature < 85 °C.

— NFC 15-100 or the IEC 60364-5-52 standards to maintain a conductor core temperature < 70 °C.



Up to 400 A/1 000 V

IP66/IP67

Temperature rating -40 °C to +60 °C

Mechanical padlocking ring

IP66/IP67
seal ring

Safety shutter
(IP2X protection)



Bayonet operation

Mechanical keying position (Neutral here)

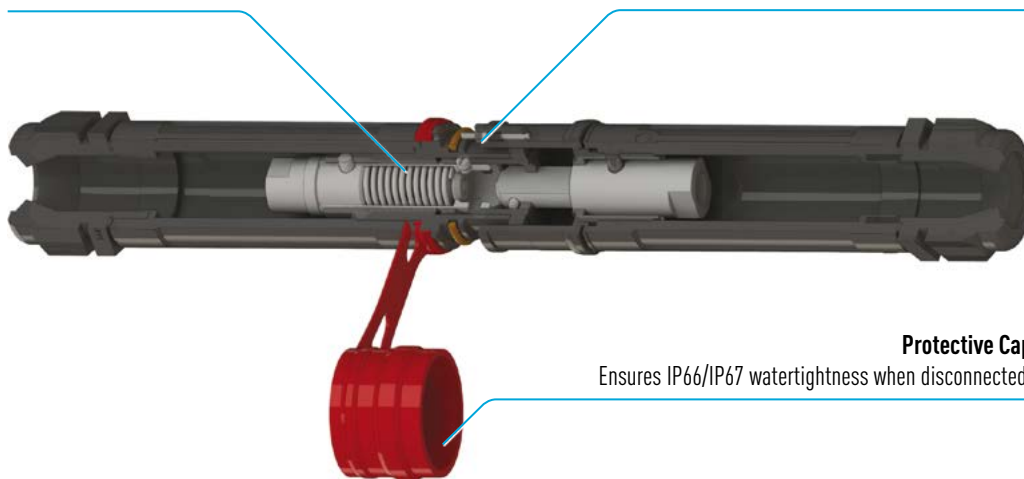
Spring Loaded Butt-Style Contacts

Ensures optimal contact force and superior electrical performance over thousands of operations.

Silver-Nickel Contact Material

Solid silver-nickel contact surfaces provide:

- superior conductivity,
- corrosion resistance,
- durability.



Protective Cap

Ensures IP66/IP67 watertightness when disconnected.

5 MECHANICAL KEYING POSITIONS (EUROPEAN COLOR CODING)

Earth

L1

L2/Negative

L3/Positive

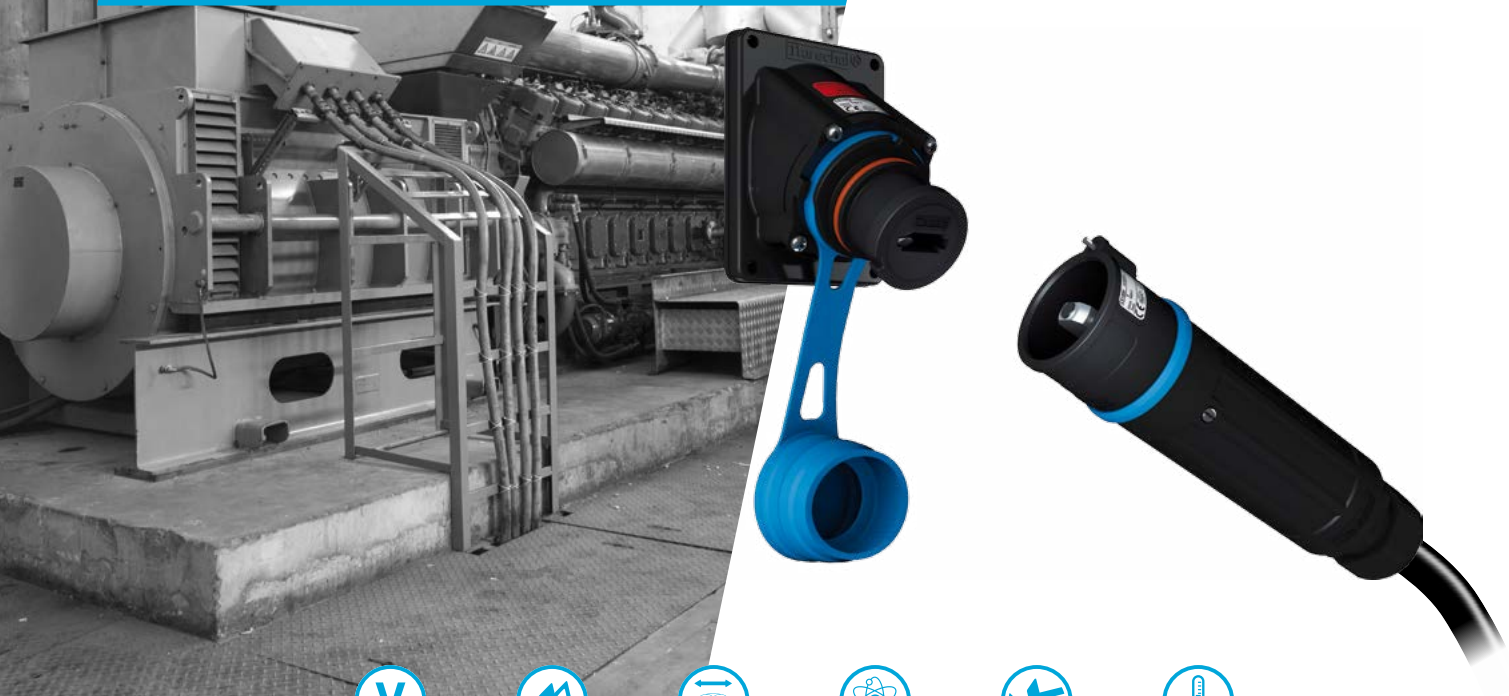
Neutral



400 A $1\,000\text{ V}$

U_{MAX}

SINGLE POLE POWER CONNECTOR CS1000



1 000 V AC
1 500 V DC



IP66
IP67



50-150 mm² (1)
70-185 mm² (2)



GRP



IK08



-40 °C
+60 °C

(1) Flexible wiring (min.-max.).
(2) Stranded wiring (min.-max.).

OTHER FEATURES

Icc : rated conditional short circuit current (kA)	20 kA during 250 ms
Number of operations	2 000
Keying positions	5, mechanical and visual

COLOR coding

Type	Europe*	Reference	Reference
L1	Brown	4534001	4538001
L2	Black	4534002	4538002
L3	Grey	4534003	4538003
Neutral	Blue	453400N	453800N
Earth	Green	453400T	453800T
Positive	Red	453400P	453800P
Negative	Black	453400M	453800M

SOCKET-OUTLET
female
CS1000
WITHOUT LUG



INLET male
CS1000
WITHOUT LUG



* The indicated references are valid for Europe and Japan. for UK, South-Africa and India : add the suffix P40.
Color coding is as follows: L1 => Red / L2 => Yellow / L3 => Blue / Neutral => Black / Earth => Green / Positive => Red / Negative => Black.

SOCKET-OUTLET
female
CS1000
WITHOUT LUG



INLET male
CS1000
WITHOUT LUG



COLOR coding

Type	Australia and New Zealand	Reference	Reference
L1	Red	4534001-P67	4538001-P67
L2	White	4534002-P67	4538002-P67
L3	Blue	4534003-P67	4538003-P67
Neutral	Black	453400N-P67	453800N-P67
Earth	Green	453400T-P67	453800T-P67
Positive	Red	453400P-P67	453800P-P67
Negative	Black	453400M-P67	453800M-P67

Type	USA	Reference	Reference
L1	Black	4534001-P80	4538001-P80
L2	Red	4534002-P80	4538002-P80
L3	Blue	4534003-P80	4538003-P80
Neutral	White	453400N-P80	453800N-P80
Earth	Green	453400T-P80	453800T-P80
Positive	Red	453400P-P80	453800P-P80
Negative	Black	453400M-P80	453800M-P80







COPPER LUGS

Lug choice depends on the cable: the cross-section of the flexible cable mentioned in the table below is for information only. Please check dimensions as these may vary according to cable types and manufacturers.



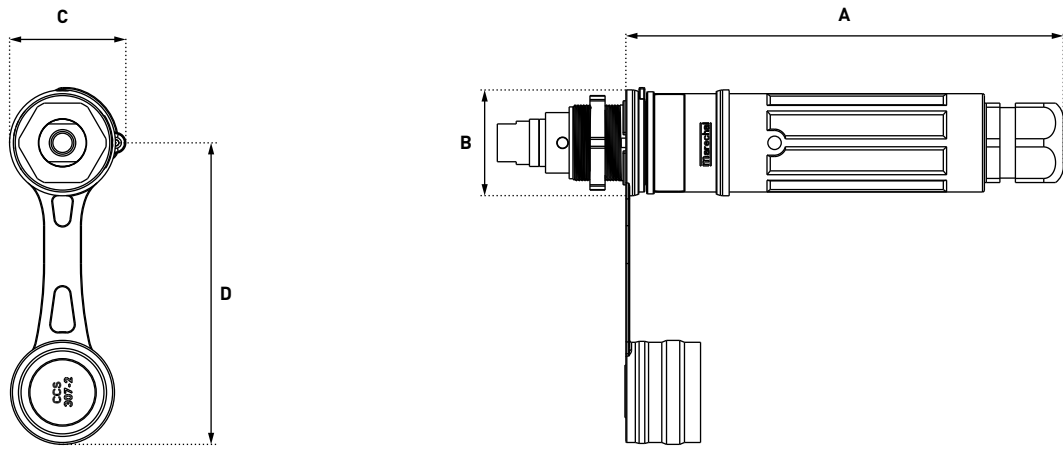
Wiring (mm ²)		Straight with hole	Straight threaded M12	Internal diameter (mm)
Flexible	Stranded	Reference	Reference	
50	70	454A50C	454A50D	11
70	95	454A70C	454A70D	13,1
95	120	454A95C	454A95D	14,5
120	150	454A12C	454A12D	16,2
150	185	454A15C	454A15D	18

For male contact, wiring with crimping lugs, according to NF C20-130 standard (for VDE 0220 standard, please contact us). Crimping: Double hexagonal crimping is recommended.

OPTIONS	Reference	SLEEVE	Reference
PADLOCKING RING		SLEEVE INCLINED 30° WITH ADAPTER PLATE	
	453A843		The inclined sleeve is recommended to reduce cable weight effect. 453A027
INLET CAP			
	453A126		
ADAPTER PLATE			
	453A540		
ADDITIONAL UNLOCKING KEY			
	453A396		
		HANDLE	Input/ Cable outer Ø
		HANDLE STRAIGHT	Reference
			M32 14-25 mm 453A753
			M40 18-32 mm 453A783

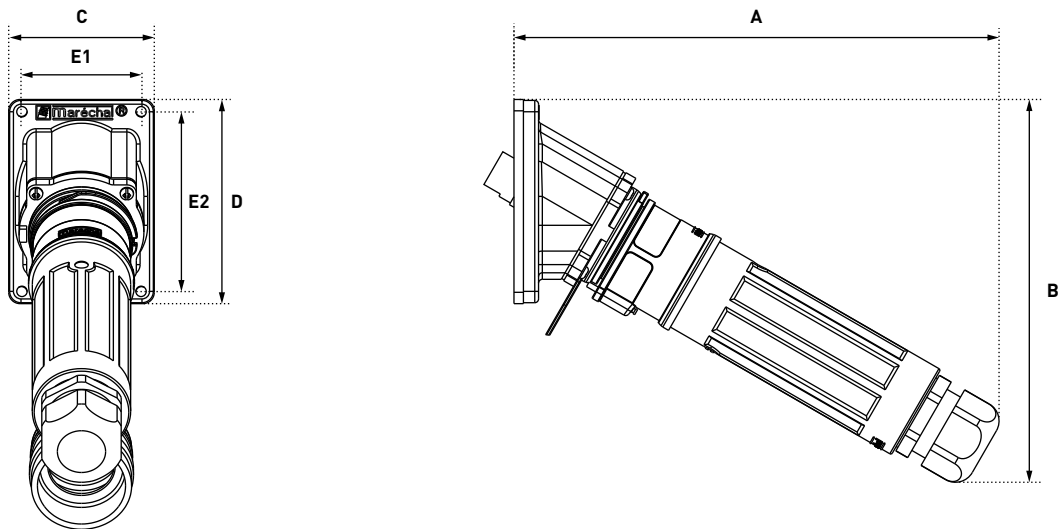
DRAWINGS AND DIMENSIONS

PLUG ON SOCKET-OUTLET



A	B	C	D
231	56	56	160

PLUG ON 30° INCLINED SOCKET-OUTLET



A	B	C	D	E1	E2
257	202	77	108	64	95



700 A

SP SINGLE POLE CONNECTOR



SP

- are single pole connectors which are safe, reliable and provide a high level of performance for all high current applications. They withstand frequent overloads up to 7000 A that depend on operating cycle.
- Are robust connectors with outstanding durability.
- Are fitted with an electromechanical interlocking and an electrical interlocking with pilot contact circuit.

SP SINGLE POLE CONNECTORS COMPLY WITH:

- the European Directives Low Voltage, RoHS (affixing of CE marking), REACH European Regulation.



Canada



Russia
and Eurasia



Naval



Military
(Mil-S-901D)

THE HIGHEST POSSIBLE SAFETY

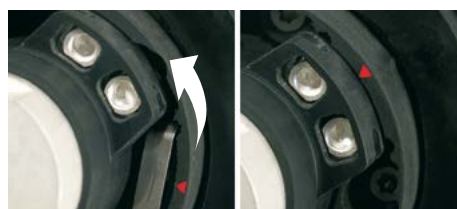
- IP2X socket-outlet when cap removed,
- Automatic IP66 watertightness when plug is connected.

AN EASILY OPERABLE CONNECTOR

- Straight insertion of the plug into the socket-outlet without any rotation,
- Mechanical fool-proofing system between phases, neutral and earth,
- Visual identification by standard colours,
- Screwed crimping lugs facilitate cable replacement.

PERFORMANCES

- Thanks to the butt-contact principle, the SP withstands continuously up to 700 A/1000 VAC or 1500 V DC (70 mm² to 400 mm² conductors), withstands at least 2 000 operations.

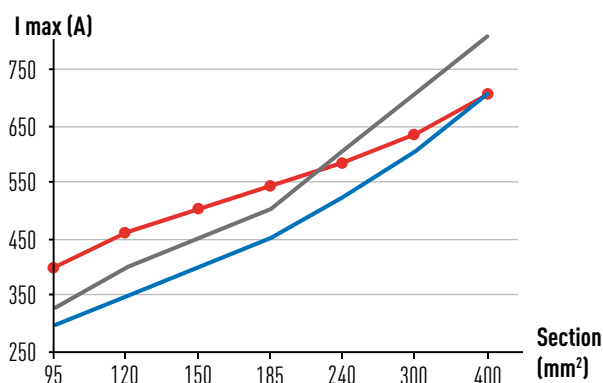


Reliable mechanical and electrical interlocking with pilot contact circuit.

SP CHARACTERISATION

Permissible current according to conductor cross-section at 30 °C ambient temperature

- Maximum permanent permissible current in the SP after 2 000 operations depending on cable cross-section.
- Maximum intensity of permanent current specified by the cable manufacturers to maintain a conductor core temperature < 85 °C.
- Maximum intensity of permanent current specified by the NFC 15-100 or the IEC 60 364-5-52 standards to maintain a conductor core temperature < 70 °C.

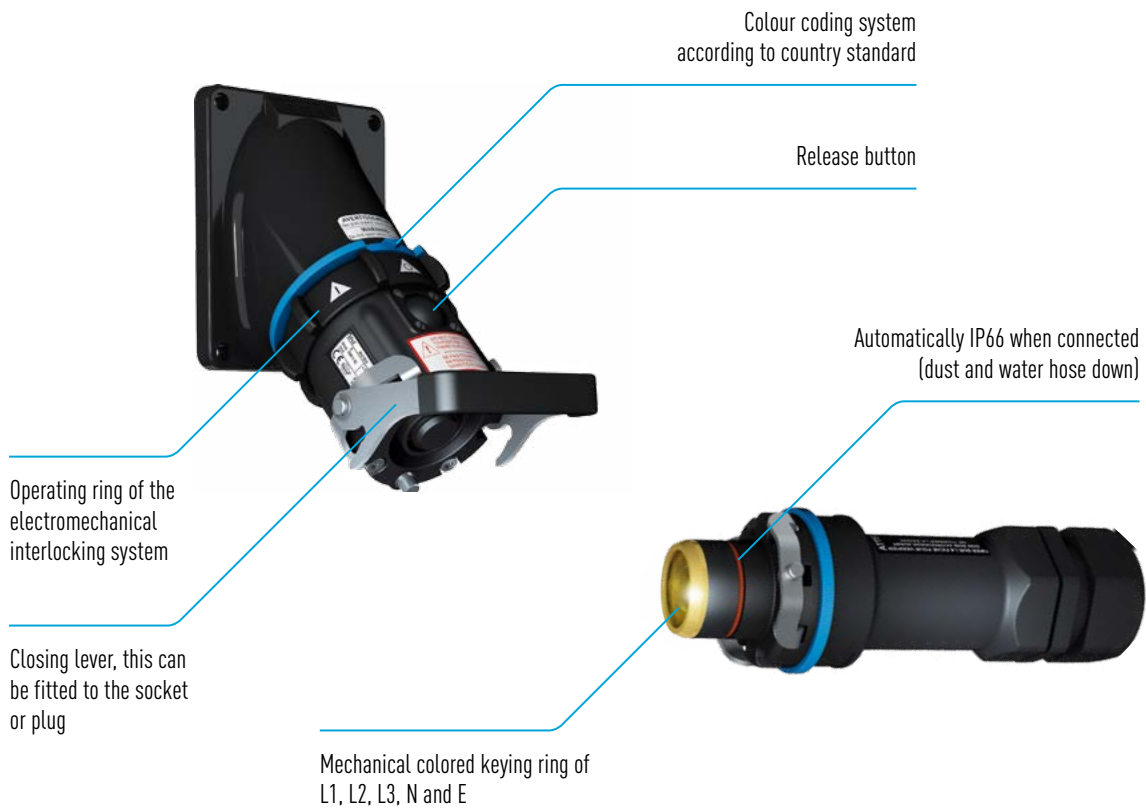


Up to 700 A/1 000 V

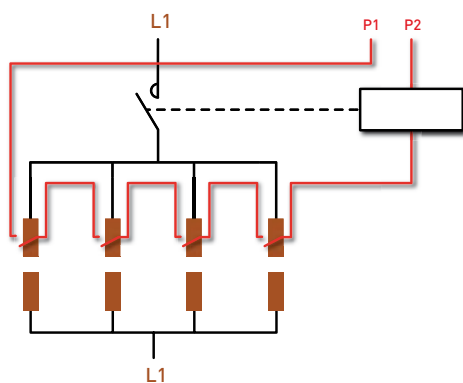
IP66/IP67

Temperature rating -40 °C to +60 °C

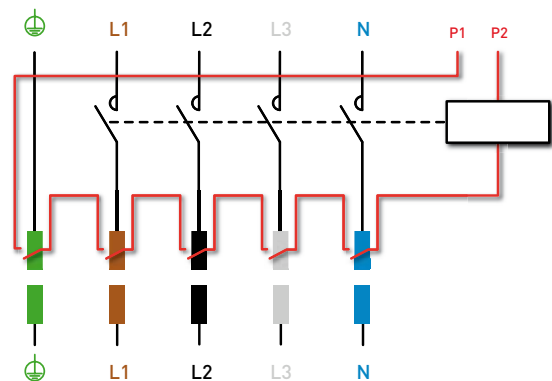
Electromechanical interlocking system



**INTERLOCKING ELECTRICAL WIRING DIAGRAM:
INCREASED POWER WITH PARALLEL CONNECTION**



**INTERLOCKING ELECTRICAL WIRING DIAGRAM:
LAST CONNECTION COMPLETES THE CIRCUIT**



700 A 1 000 V

U MAXI

SINGLE POLE POWER CONNECTOR SP



1 000 V AC
1 500 V DC



IP66
IP67



SEE
TABLE



GRP



IK09



-40 °C
+60 °C



+2 PIL



LEVER MECHANISM

TO BE ORDERED SEPARATELY

Compatible with socket
or inlet since 2018

Lever mechanism :
454A876

Draw base : 454A396



OTHER FEATURES

Rated current	Consult us for intensities higher than 700 A
Short-circuit current Icc	20 kA for 250 ms
Number of operations	2 000
Pre-wired pilot circuit	10 A/250 V

SOCKET-OUTLET

female

SP

WITHOUT LUG



INLET male

SP

WITHOUT LUG



COLOR coding

Type	Europe*	Reference	Reference
L1	Brown	4544001	4548001
L2	Black	4544002	4548002
L3	Grey	4544003	4548003
Neutral	Blue	454400N	454800N
Earth	Green	454400T	454800T
Positive	Red	454400P	454800P
Negative	Black	454400M	454800M

* The indicated references are valid for Europe and Japan. for UK, South Africa and India : add the suffix P40.

Color coding is as follows: L1 => Red / L2 => Yellow / L3 => Blue / Neutral => Black / Earth => Green / Positive => Red / Negative => Black.

SOCKET-OUTLET
female
SP (700 A)
WITHOUT LUG



INLET male
SP (700 A)
WITHOUT LUG



COLOR coding		Reference	Reference
Type	Australia and New Zealand		
L1	Red	4544001-P67	4548001-P67
L2	White	4544002-P67	4548002-P67
L3	Blue	4544003-P67	4548003-P67
Neutral	Black	454400N-P67	454800N-P67
Earth	Green	454400T-P67	454800T-P67
Positive	Red	454400P-P67	454800P-P67
Negative	Black	454400M-P67	454800M-P67

Type	USA	Reference	Reference
L1	Black	4544001-P80	4548001-P80
L2	Red	4544002-P80	4548002-P80
L3	Blue	4544003-P80	4548003-P80
Neutral	White	454400N-P80	454800N-P80
Earth	Green	454400T-P80	454800T-P80
Positive	Red	454400P-P80	454800P-P80
Negative	Black	454400M-P80	454800M-P80


LUGS

Lug choice depends on the cable: the cross-section of the flexible cable mentioned in the table below is for information only. Please check dimensions as these may vary according to cable types and manufacturers.





Wiring (mm ²)		Straight with hole	Straight threaded M12	Internal diameter (mm)
Flexible	Stranded	Reference	Reference	
50	70	454A50C	454A50D	11
70	95	454A70C	454A70D	13,1
95	120	454A95C	454A95D	14,5
120	150	454A12C	454A12D	16,2
150	185	454A15C	454A15D	18
185	240	454A18C	454A18D	20,6
240	300	454A24C	454A24D	23,1
300	400	454A30C	454A30D	26,1
400	500	454A40C	454A40D	29,2


For male contact, wiring with crimping lugs, according to NF C20-130 standard (for VDE 0220 standard, please contact us). Crimping: Double hexagonal crimping is recommended.

OPTIONS	Reference
M12 CONNECTION PIECE*	
	474A277

*Wiring with straight cable lugs with terminals.

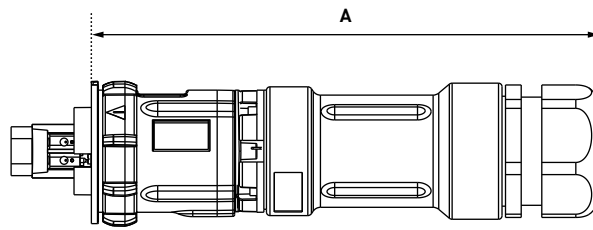
HANDLE	Input/ Cable outer Ø	Reference
HANDLE STRAIGHT		
	M50 17-38 mm	454A753
	M63 35-48 mm	454A783

SLEEVE	Reference
SLEEVE INCLINED METAL 45°	
	The inclined sleeve is recommended to reduce cable weight effect.
	454A027

ACCESSORIES	Reference
LOCKING PIN	
	454A844

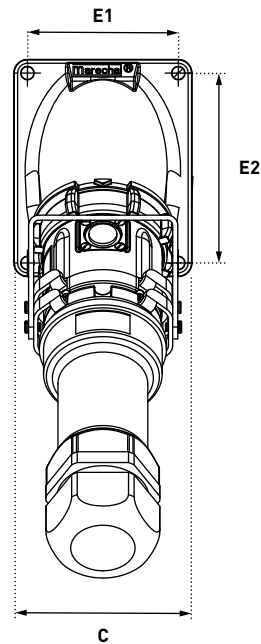
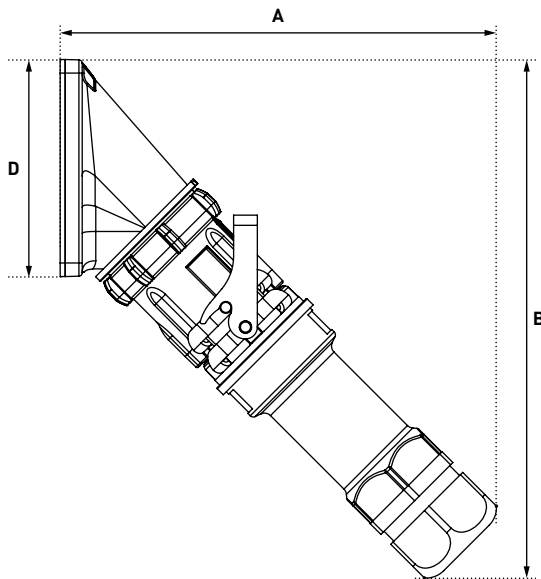
DRAWINGS AND DIMENSIONS

PLUG ON SOCKET-OUTLET



	A
SP M50	265
SP M63	291

PLUG ON 45° INCLINED SOCKET OUTLET



	A	B	C	D	E1	E2
SP M50	254	306	105	128	89	112
SP M63	279	330	105	128	89	112

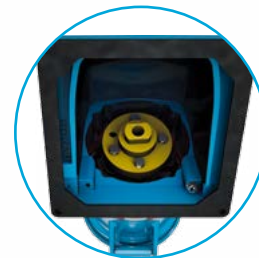


1250A 1 000 V

U MAXI

SINGLE POLE POWER CONNECTOR DSP1250

NEW



1 000 V AC
1 500 V DC



IP66
IP67



50 - 630 mm² (1)
70 - 630 mm² (2)



METAL



IK10



-40 °C
+60 °C



+2 PIL

(1) Flexible wiring (min.-max.).
(2) Stranded wiring (min.-max.).
630 mm² = 1250 MCM.

OTHER FEATURES

Pre-wired pilot circuit (2.2 mm ²)	5 A/400 V
Live part protection	IP2X
Keying positions	7, mechanical and visual

REFERENCES (UP TO 690 V AC)



SOCKET-OUTLET
metal **DSP1250**
WITHOUT LUG



CONNECTOR metal
DSP1250
WITHOUT LUG

Type	Europe*		
L1	Brown	3924001	3928001
L2	Black	3924002	3928002
L3	Grey	3924003	3928003
Neutral	Blue	392400N	392800N
Earth	Green	392400T	392800T
Positive	Red	392400P	392800P
Negative	Black	392400M	392800M
For products above 690 V (up to 1000 V)		Reference + 155	Reference + 155

* The indicated references are valid for Europe and Japan. For other countries: add the suffix P80 for the USA/P67 for Australia and New Zealand/P40 for UK and South-Africa.








COPPER LUGS




Lug choice depends on the cable: the cross-section of the flexible cable mentioned in the table below is for information only. Please check dimensions as these may vary according to cable types and manufacturers.



Wiring (mm ²)		Straight with hole	Straight threaded M12	Internal diameter (mm)
Flexible	Stranded	Reference	Reference	
50	70	454A50C	454A50D	11
70	95	454A70C	454A70D	13.1
95	120	45AA95C	454A95D	14.5
120	150	454A12C	454A12D	16.2
150	185	454A15C	454A15D	18
185	240	454A18C	454A18D	20.6
240	300	454A24C	454A24D	23.1
300	400	454A30C	454A30D	26.1
400	500	454A40C	454A40D	29.2
500	630	454A500C	454A500D	33.2
630	/	/	454A63D	37.6

For male contact, wiring with crimping lugs, according to NF C20-130 standard (for VDE 0220 standard, please contact us). Crimping: Double hexagonal crimping is recommended.

OPTIONS	Reference	EMC Option
LOCKING PIN FOR 2 PADLOCKS Ø 4 TO 8 mm (PADLOCKS NOT SUPPLIED)		
	Socket-outlet ref. +843	
SAFETY HASP FOR UP TO 6 PADLOCKS		
	399A541	
INLET CAP IP66/IP67		
	392A426	
IP40 SELF RETURNING LID (MANUAL CLOSING)		
	Socket-outlet ref.+R	
ELECTROMAGNETIC COMPATIBILITY (EMC) (SEE DETAIL PAGE 300)		
	Ref. socket and metal connector +EMC Contact us for additional accessories	
SPACERS (BETWEEN THE WALL BOX OR PANEL)⁽¹⁾		
	Depth 68 mm	577M0-68
	Depth 115 mm	577M0-115
SLEEVE		
METAL SLEEVE		
	60°	597M6 Ref. +EMC

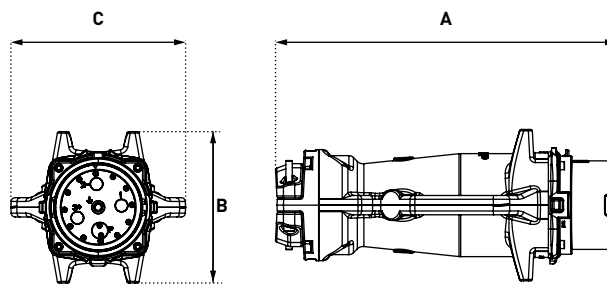
HANDLE	Cable outer Ø	Reference	EMC Option
ELASTOMER HANDLE WITH GLAND⁽²⁾			
	25-35 mm	556P0D35	/
	35-45 mm	556P0D45	/
	45-49 mm	556P0D49	/
METAL HANDLE WITH INTEGRATED CABLE CLAMP NEW			
	40-50 mm	5K6P0D50	/
	51-60 mm	5K6P0D60	/
	61-70 mm	5K6P0D70	/
	71-80 mm	5K6P0D80	/
METAL HANDLE METRIC THREAD ENTRY (WITHOUT CABLE GLAND) - LARGE SIZE			
	M63	796P0M63	Ref. +EMC
	M75	796P0M75	Ref. +EMC

(1) When using straight lugs in a sleeve, spacer is required.

(2) These handles require an additional spacer.

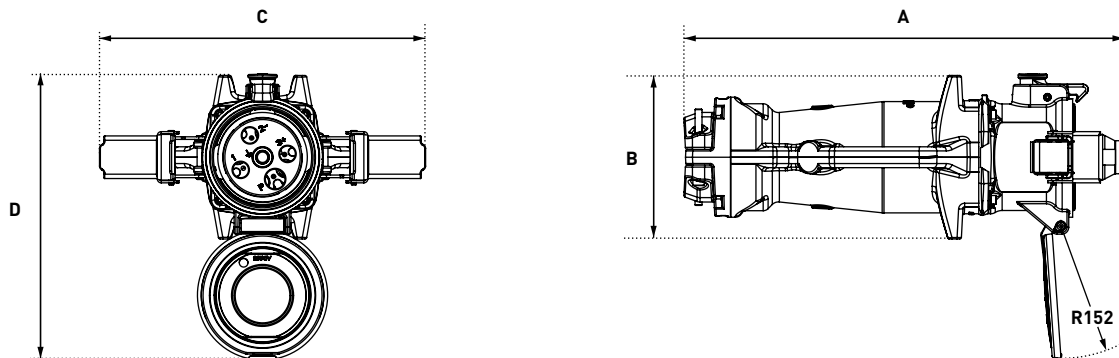
DRAWINGS AND DIMENSIONS

PLUG



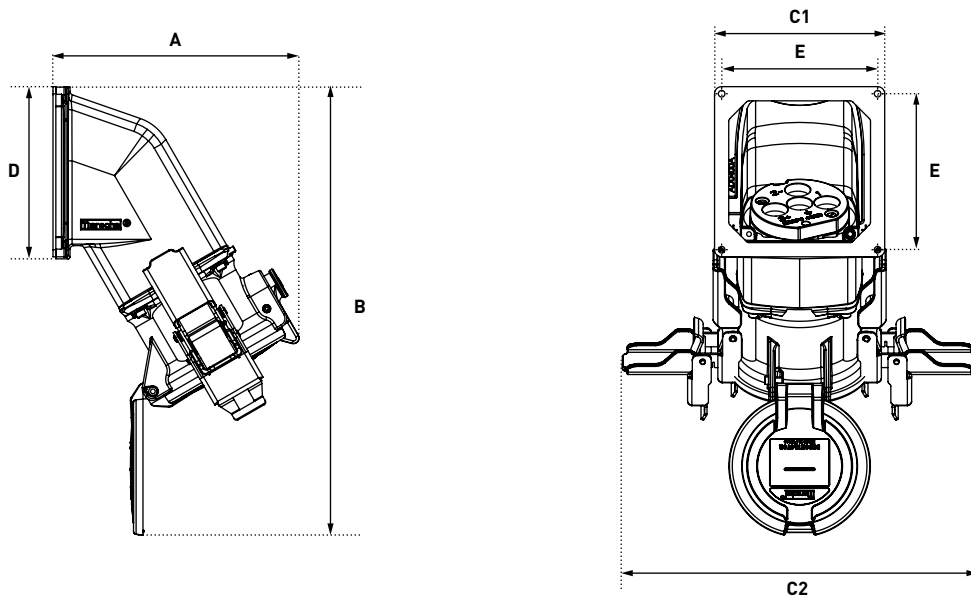
A	B	C
475	147	147

COUPLER SOCKET



A	B	C	D
503	188	375	327

SOCKET OUTLET INCLINED AT 60°



A	B	C1	C2	D	E
260	474	180	375	180	165

