

32 A

750 V

U MAXI

DECONTACTOR™ DXN3



MARECHAL ELECTRIC FRANCE

Ex II 2 G D Ex db eb IIC T* Gb
 Ex tb IIIC T* Db
*-40 °C ≤ Ta ≤ +60 °C T5 T77 °C
-40 °C ≤ Ta ≤ +40 °C T6 T57 °C
IECEX LCI09.0006X/LCIE 05 ATEX 6149X



IP66
IP67



2,5-10 mm² (1)
2,5-16 mm² (2)



GRP



IK09



-40 °C
+60 °C



AC-22



ATEX



1, 2,
21, 22

(1) Flexible wiring (min.-max.).
(2) Stranded wiring (min.-max.).



**Other configurations
on request**

TEMPERATURE RATING

Gas temperature classes	T6 for an ambient T° between -40 °C and +40 °C T5 for an ambient T° between -40 °C and +60 °C
Dust surface temperature classes	Surface T° ≤ 57 °C for an ambient T° between -40 °C and +40 °C Surface T° ≤ 77 °C for an ambient T° between -40 °C and +60 °C

STANDARDS

International and European IEC/EN standards	60079-0, 60079-1, 60079-7, 60079-31, 60309-1, 60309-4, 60947-3
Protection mode	db eb, tb

SOCKET-OUTLET

female
DXN3



INLET male
DXN3













20-24 V AC	2P	253408A	253808A
220-250 V AC	1P+N+E	2534015	2538015
380-440 V AC	3P+E	2534013	2538013
380-440 V AC	3P+N+E	2534017	2538017
480-500 V AC	3P+E	2534093	2538093
480-500 V AC	3P+N+E	2534097	2538097
550 V AC - Auxiliaries 5 A	+ 2 contacts	Ref. + 972	Ref. + 972





► Other currents, voltages, frequencies and contact configurations are available (see page 14).




**Each socket outlet
or inlet must be
associated with a box,
a sleeve or a handle.**

OPTIONS	Reference
LOCKING PIN FOR 2 PADLOCKS Ø 4 TO 8 mm (PADLOCK NOT SUPPLIED)	
	Socket-outlet ref. +843
SAFETY HASP FOR UP TO 6 PADLOCKS	
	613A541
LARGER RELEASE BUTTON	
	Ref. socket +453
INLET CAP IP66/IP67	
	253A426
IN-LINE CONNECTIONS (A PAIR OF FINGER DRAW PLATES TO AID CLOSING)	
	613A346
180° OPENING LID	
	Ref. socket +10
SELF CLOSING/SELF RETURNING LID	
	Socket-outlet ref.+R
180° OPENING + SELF-RETURNING LID	
	Ref. socket +18
COMPATIBILITY WITH DSN SOCKET-OUTLET (INDUSTRIAL RANGE)	
	Contact us.
SELF-EJECTION	
	See page 186

HANDLE	Cable outer Ø	Reference
POLY HANDLE WITH GLAND EX POLY		
	10-14 mm	253A753
	12-18 mm	253A783
	16-25 mm	253A25332P
	22-32 mm	253A25340P
POLY HANDLE WITH EX POLY GLAND FOR SELF-EJECTION OPTION		
	10-14 mm	253A463
	12-18 mm	253A44325P
	16-25 mm	253A44332P
STRAIGHT POLY HANDLE WITH METAL CABLE GLAND WITH EARTH CONTINUITY		
	8-10 mm	253A25320M
	12-14 mm	253A25325M
	18-24 mm	253A25332M

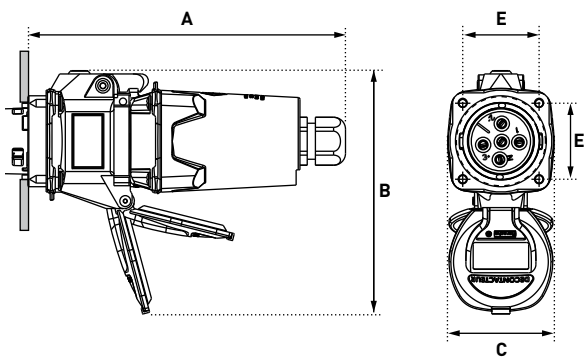
WALL BOX	Incline angle	Input/ Cable outer Ø	Reference
WALL BOX POLY WITH EX POLY CABLE GLAND			
	30°	10-14 mm	253AB53
	30°	12-18 mm	253AB5325P
WALL BOX POLY WITHOUT CABLE GLAND			
	30°	M20	253AB53417
	30°	M25	253AB53418
WALL BOX POLY WITH EX POLY CABLE GLAND			
	70°	10-14 mm	253AB8820P
	70°	12-18 mm	253AB8825P
	70°	16-25 mm	253AB8832P
120 X 120 mm			
WALL BOX POLY WITH TERMINAL BLOCKS (IECEx LCIE 16.0042X/LCIE 16 ATEX 3054X)			
	70°	10-14 mm	253A08820P ⁽¹⁾
	70°	12-18 mm	253A08825P ⁽¹⁾
120 X 120 mm			

1. Delivered with two predrilled entries fitted with 1 cable gland and 1 stopping plug. 8+2 terminals up to 10 mm² with 6 mm² wires. Wiring : 2.5-10 mm². For other configurations, contact us.

SLEEVE	Incline angle	Reference
INCLINED POLY SLEEVE		
	30°	253A027
	70°	253A757

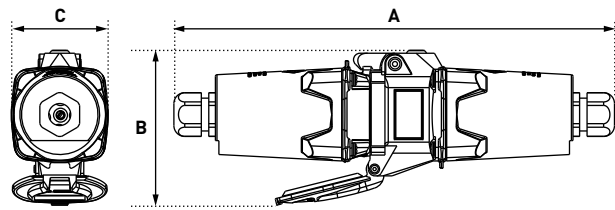
DRAWINGS AND DIMENSIONS

PLUG ON SOCKET-OUTLET



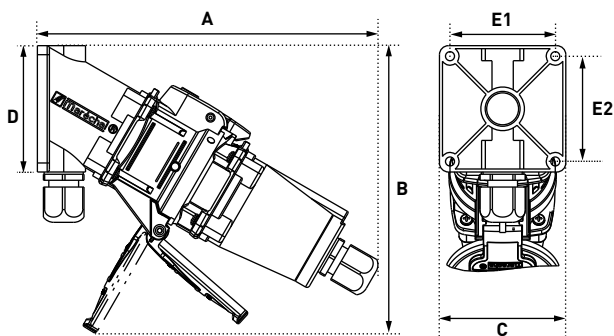
A	B	C	E
190	171	77	48

COUPLER



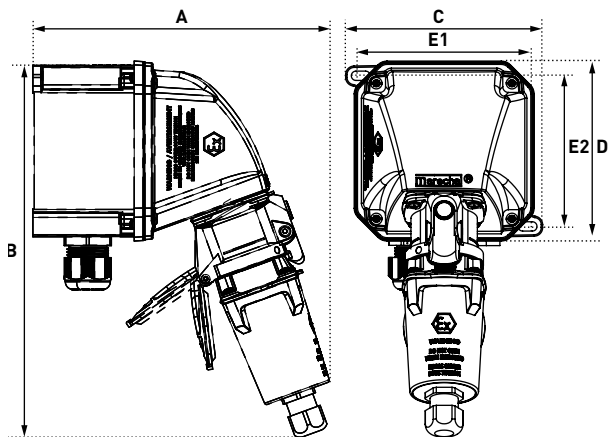
A	B	C
304	71	118

PLUG ON 30° WALL MOUNTED SOCKET OUTLET



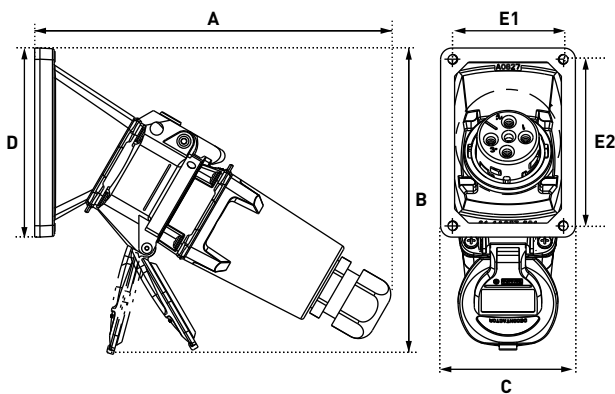
A	B	C	D	E1	E2
226	191	84	84	71	71

PLUG ON 70° WALL-MOUNTED SOCKET-OUTLET



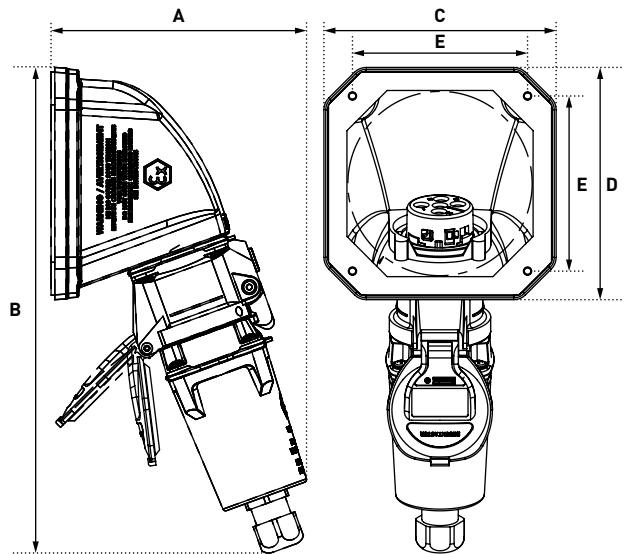
A	B	C	D	E1	E2
208	264	138	126	117	105.5

PLUG ON 30° INCLINED SOCKET-OUTLET



A	B	C	D	E1	E2
201	204	77	108	64	96

PLUG ON 70° INCLINED SOCKET-OUTLET



A	B	C	D	E
148	275	126	126	95

