

150 A

1 000 V
U_{MAXI}

DECONTACTOR™ DS9 POLY



IP66
IP67
IP69



25-70 mm² (1)
25-95 mm² (2)



GRP



IK09



-40 °C
+60 °C



AC-22
AC-23



60309-1
60309-4
60947-3



6 AUX (3)

(1) Flexible wiring (min.-max.).
(2) Stranded wiring (min.-max.).
(3) Flexible wiring : 2,5 mm².



Other configurations on request

GRP devices are not compatible with metal devices.

LOAD-BREAK CAPABILITY OF THE DECONTACTOR™

Comply with IEC/EN 60309-1 and IEC/EN 60309-4 standards	150 A/690 V
Load-break capability according to IEC/EN 60947-3/AC-22	(90 A/690 V) or (150 A/600 V)
Load-break capability according to IEC/EN 60947-3/AC-23	100 A/440 V
Short-circuit current I _{cc}	10 kA
Power kW AC-22/AC-23	80 kW

SOCKET-OUTLET

female
DS9



INLET male
DS9*









380-440 V AC	3P+E	3194013	3198013
220-250 V AC 380-440 V AC	3P+N+E	3194017	3198017
660-690 V AC	3P+E	3194193	3198193
380-400 V AC 660-690 V AC	3P+N+E	3194197	3198197
1 000 V AC**	3P+E	3194223	3198223
Auxiliaries 10 A/400 V AC	+ 2 contacts	Ref. + 262	Ref. + 262
Auxiliaries 10 A/400 V AC	+ 4 contacts	Ref. + 264	Ref. + 264
Auxiliaries 10 A/400 V AC	+ 6 contacts	Ref. + 976	Ref. + 976


► Other currents, voltages, frequencies and contact configurations are available (see page 14).


* When a connector is mounted on a box, it is required to use a sleeve to ensure the closing mechanism.


** Without breaking capacity.


OPTIONS	Reference
LOCKING PIN FOR 2 PADLOCKS Ø 4 TO 8 mm (PADLOCKS NOT SUPPLIED)	
	Socket-outlet ref. +843
SAFETY HASP FOR UP TO 6 PADLOCKS	
	399A541
LARGER RELEASE BUTTON	
	Ref. socket +453
INLET CAP IP66/IP67	
	319A426
IP40 SELF RETURNING LID (MANUAL CLOSING)	
	Socket-outlet ref.+R



HANDLE	Input/ Cable outer Ø	Reference	Self-ejection
ELASTOMER HANDLE WITH GLAND			
	18-25 mm	555P0D25	Ref. +443
	25-35 mm	555P0D35	Ref. +443
	35-45 mm	555P0D45	Ref. +443
	45-49 mm	555P0D49	Ref. +443

POLY HANDLE + POLY CABLE GLAND			
	14-25 mm	515P032P	Ref. +443
	18-32 mm	515P040P	Ref. +443
	24-38 mm	515P050P	Ref. +443
	35-48 mm	515P063P	/


POLY HANDLE (WITHOUT CABLE GLAND)			
	M50	515P0M50	/
	M63	515P0M63	/

METAL HANDLE WITH METAL GLAND (+ EARTHING WIRE)			
	16-24 mm	595P032M	/
	22-32 mm	595P040M	/
	34-44 mm	595P050M	/
	35-48 mm	595P063M	/






METAL HANDLE METRIC THREAD ENTRY (WITHOUT CABLE GLAND)			
	M32	595P0M32	/
	M40	595P0M40	/
	M50	595P0M50	/
	M63	595P0M63	/

BOXES		Input	Reference
METAL BOX (+ EARTHING WIRE) + POLY SLEEVE			
	30°	M32	515C3M32
	30°	M40	515C3M40
	30°	M50	515C3M50
	30°	M63	515C3M63

METAL BOX (+ EARTHING WIRE) + METAL SLEEVE			
	30°	M32	595C3M32
	30°	M40	595C3M40
	30°	M50	595C3M50
	30°	M63	595C3M63
	0° (Straight)	M32	595C0M32
	0° (Straight)	M40	595C0M40
	0° (Straight)	M50	595C0M50
	0° (Straight)	M63	595C0M63
	70°	M32	595C7M32
	70°	M40	595C7M40
	70°	M50	595C7M50
	70°	M63	595C7M63

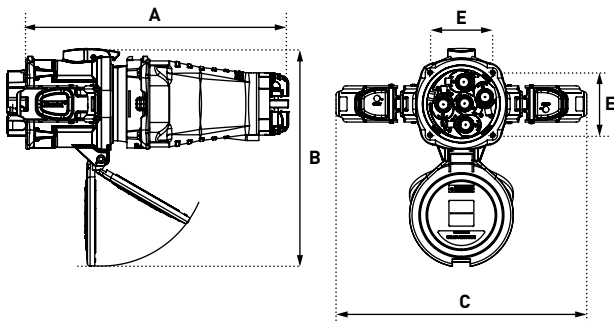
METAL BOX (+ EARTHING WIRE) + METAL SLEEVE + CORNET			
	0° (Straight)	M50	595E0M50
	30°	M50	595E3M50
	30°	M63	595E3M63
	70°	M50	595E7M50
	70°	M63	595E7M63

Cable glands are not delivered with the boxes.

SLEEVE		Reference
POLY SLEEVE		
	30°	515M3
METAL SLEEVE		
	0° (Straight)	595M0
	30°	595M3
	70°	595M7

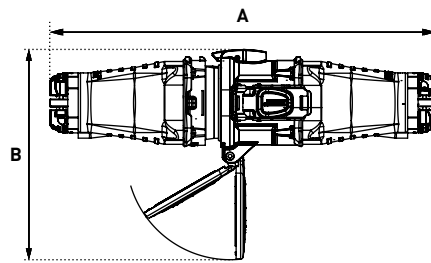
DRAWINGS AND DIMENSIONS

PLUG ON SOCKET-OUTLET



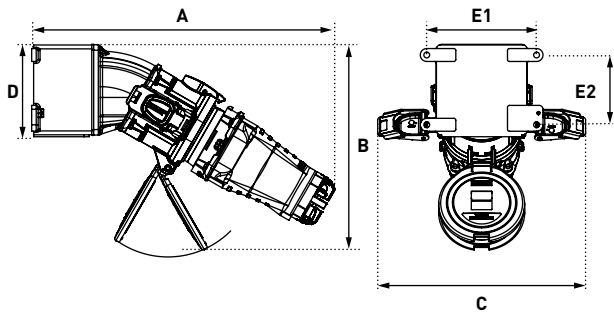
A	B	C	E
337	279	322	81

COUPLER



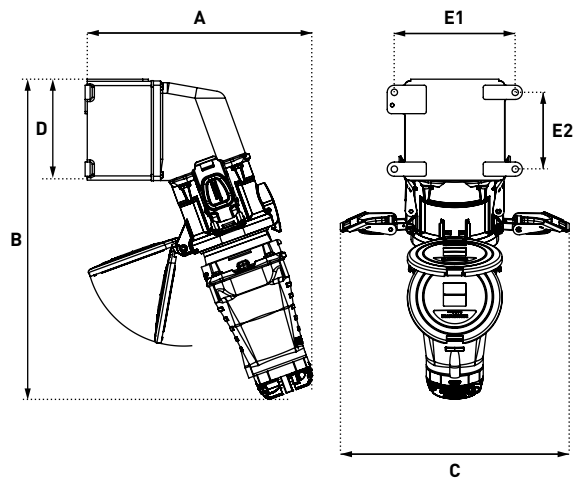
A	B
515	279

PLUG ON 30° WALL MOUNTED SOCKET OUTLET



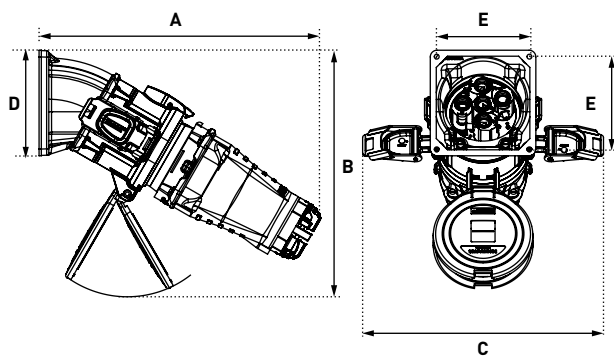
A	B	C	D	E1	E2
469	328	322	142	170	108

PLUG ON 70° WALL BOX MOUNTED SOCKET



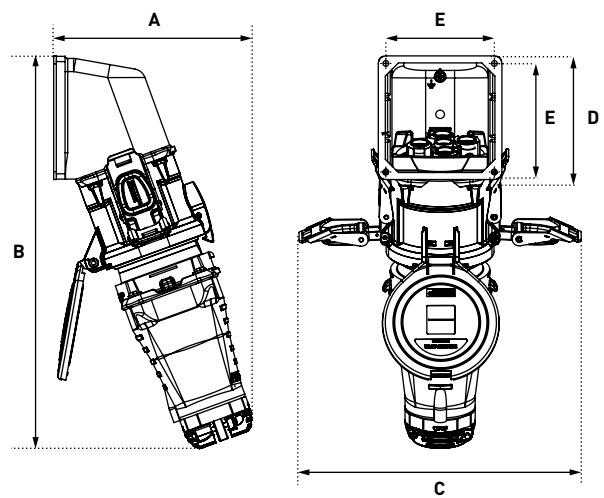
A	B	C	D	E1	E2
319	450	322	142	170	108

PLUG ON 30° INCLINED SOCKET-OUTLET



A	B	C	D	E
376	329	322	141	124

PLUG ON 70° INCLINED SOCKET-OUTLET



A	B	C	D	E
226	447	322	140	124



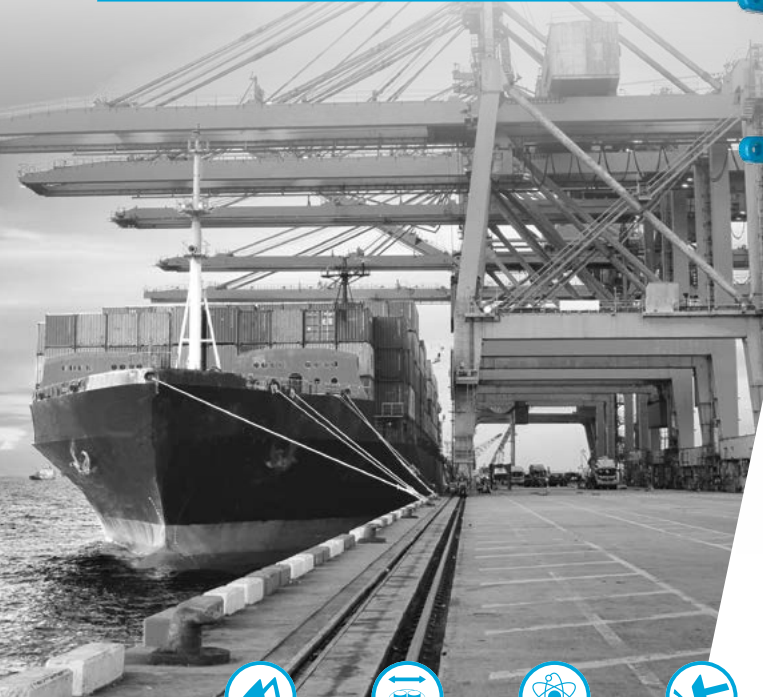
150 A

1 000 V
U_{MAXI}

DECONTACTOR™ DS9 METAL

NEW VERSION
IP66/IP67

COMPATIBLE WITH PREVIOUS
VERSIONS



IP66
IP67



25-70 mm² (1)
25-95 mm² (2)



METAL



IK10



-40 °C
+60 °C



AC-22
AC-23



60309-1
60309-4
60947-3



6 AUX (3)

(1) Flexible wiring (min.-max.).
(2) Stranded wiring (min.-max.).
(3) Flexible wiring : 2,5 mm².



Other configurations on
request

GRP devices are not
compatible with metal
devices.

LOAD-BREAK CAPABILITY OF THE DECONTACTOR™

Comply with IEC/EN 60309-1 and IEC/EN 60309-4 standards	150 A/690 V
Load-break capability according to IEC/EN 60947-3/AC-22	(90 A/690 V) or (150 A/600 V)
Load-break capability according to IEC/EN 60947-3/AC-23	100 A/440 V
Short-circuit current I _{cc}	10 kA
Power kW AC-22/AC-23	80 kW

SOCKET-OUTLET
female
DS9



INLET male
DS9*



380-440 V AC	3P+E	3994013	3998013
220-250 V AC 380-440 V AC	3P+N+E	3994017	3998017
660-690 V AC	3P+E	3994193	3998193
380-400 V AC 660-690 V AC	3P+N+E	3994197	3998197
1 000 V AC**	3P+E	3994223	3998223
Auxiliaries 10 A/400 V AC	+ 2 contacts	Ref. + 262	Ref. + 262
Auxiliaries 10 A/400 V AC	+ 4 contacts	Ref. + 264	Ref. + 264
Auxiliaries 10 A/400 V AC	+ 6 contacts	Ref. + 976	Ref. + 976

► Other currents, voltages, frequencies and contact configurations are available (see page 14).

* When a connector is mounted on a box, it is required to use a sleeve to ensure the closing mechanism.

** without breaking capacity.

OPTIONS Reference

LOCKING PIN FOR 2 PADLOCKS Ø 4 TO 8 mm (PADLOCKS NOT SUPPLIED)



Socket-outlet ref. +843

SAFETY HASP FOR UP TO 6 PADLOCKS



399A541

ALLEN-SCREW LOCKING LATCH

Direct latch locking, no padlocking option. Ref. socket + 22

INLET CAP IP66/IP67



319A426

IP40 SELF RETURNING LID (MANUAL CLOSING)



Socket-outlet ref.+R

ELECTROMAGNETIC COMPATIBILITY (EMC) (SEE DETAIL PAGE 300)



Ref. socket and metal connector +EMC

HANDLE Input/
Cable outer Ø Reference EMC
Option

ELASTOMER HANDLE WITH GLAND



18-25 mm	555P0D25	/
25-35 mm	555P0D35	/
35-45 mm	555P0D45	/
45-49 mm	555P0D49	/

POLY HANDLE + POLY CABLE GLAND



14-25 mm	515P032P	/
18-32 mm	515P040P	/
24-38 mm	515P050P	/
35-48 mm	515P063P	/

POLY HANDLE (WITHOUT CABLE GLAND)



M50	515P0M50	/
M63	515P0M63	/

METAL HANDLE WITH METAL GLAND (+ EARTHING WIRE)



16-24 mm	595P032M	Ref. +EMC (11-21 mm)
22-32 mm	595P040M	Ref. +EMC (19-28 mm)
34-44 mm	595P050M	Ref. +EMC (27-35 mm)
35-48 mm	595P063M	Ref. +EMC (34-45 mm)

METAL HANDLE METRIC THREAD ENTRY (WITHOUT CABLE GLAND)



M32	595P0M32	Ref. +EMC
M40	595P0M40	Ref. +EMC
M50	595P0M50	Ref. +EMC
M63	595P0M63	Ref. +EMC

BOXES Input Ref. EMC
Option

METAL BOX (+ EARTHING WIRE) + POLY SLEEVE

	30°	M32	515C3M32	/
	30°	M40	515C3M40	/
	30°	M50	515C3M50	/
	30°	M63	515C3M63	/

METAL BOX (+ EARTHING WIRE) + METAL SLEEVE

	30°	M32	595C3M32	Ref. +EMC
	30°	M40	595C3M40	Ref. +EMC
	30°	M50	595C3M50	Ref. +EMC
	30°	M63	595C3M63	Ref. +EMC
	0° (Straight)	M32	595C0M32	Ref. +EMC
	0° (Straight)	M40	595C0M40	Ref. +EMC
	0° (Straight)	M50	595C0M50	Ref. +EMC
	0° (Straight)	M63	595C0M63	Ref. +EMC
	70°	M32	595C7M32	Ref. +EMC
	70°	M40	595C7M40	Ref. +EMC
	70°	M50	595C7M50	Ref. +EMC
	70°	M63	595C7M63	Ref. +EMC

METAL BOX (+ EARTHING WIRE) + METAL SLEEVE + CORNET

	0° (Straight)	M50	595E0M50	Ref. +EMC
	30°	M50	595E3M50	Ref. +EMC
	30°	M63	595E3M63	Ref. +EMC
	70°	M50	595E7M50	Ref. +EMC
	70°	M63	595E7M63	Ref. +EMC

Cable glands are not delivered with the boxes.

SLEEVE Reference EMC
Option

POLY SLEEVE

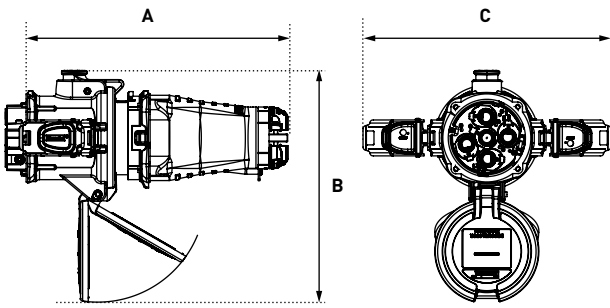
	30°	515M3	/
--	-----	-------	---

METAL SLEEVE

	0° (Straight)	595M0	Ref. +EMC
	30°	595M3	Ref. +EMC
	70°	595M7	Ref. +EMC

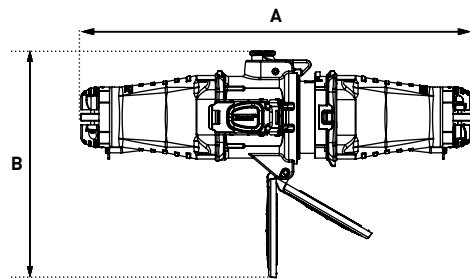
DRAWINGS AND DIMENSIONS

PLUG ON SOCKET-OUTLET



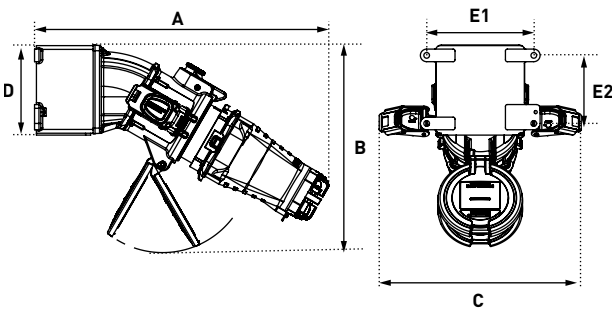
A	B	C
339	299	322

COUPLER



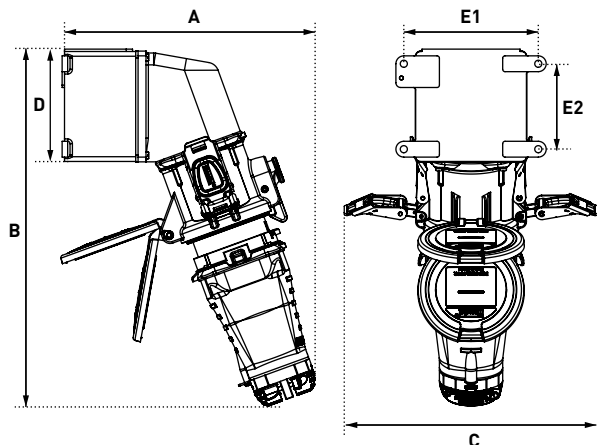
A	B
516	299

PLUG ON 30° WALL MOUNTED SOCKET OUTLET



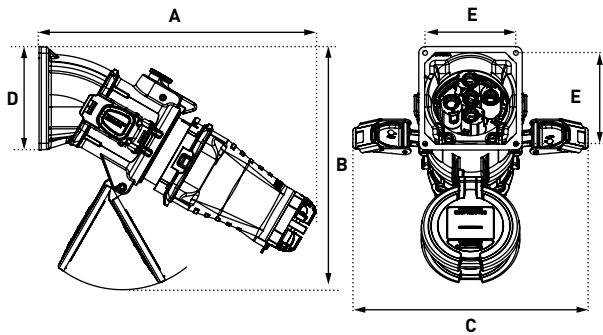
A	B	C	D	E1	E2
467	328	322	142	170	108

PLUG ON 70° WALL BOX MOUNTED SOCKET



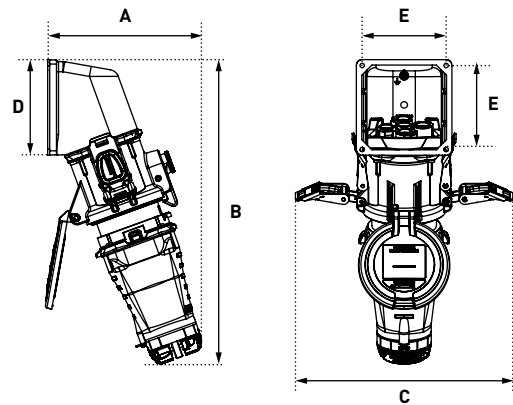
A	B	C	D	E1	E2
319	451	322	142	170	108

PLUG ON 30° INCLINED SOCKET-OUTLET



A	B	C	D	E
378	331	322	141	124

PLUG ON 70° INCLINED SOCKET-OUTLET



A	B	C	D	E
226	449	322	141	124

