

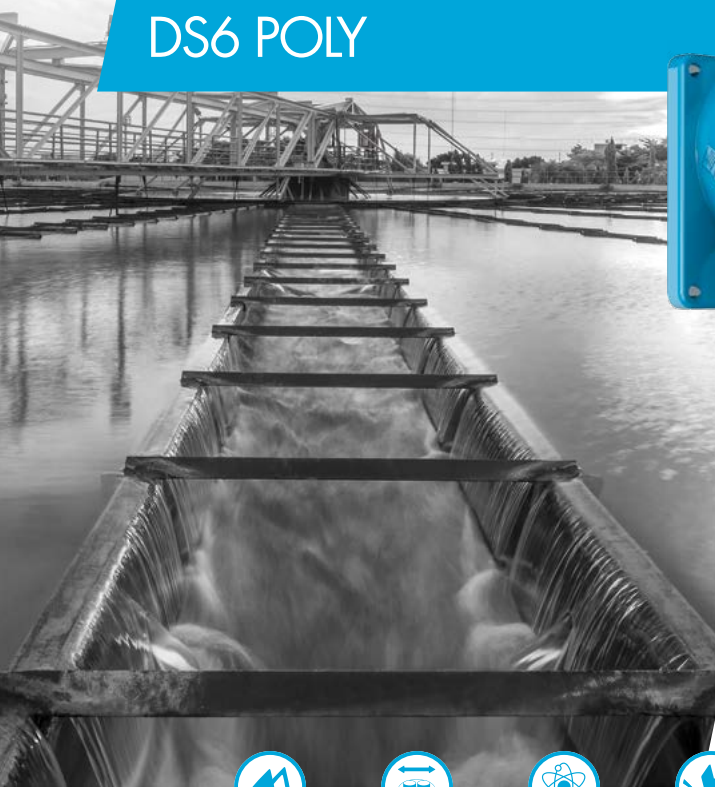
# 90 A

1 000 V  
U MAXI

## DECONTACTOR™ DS6 POLY

**NEW VERSION**  
AVAILABLE IN 2022

COMPATIBLE WITH PREVIOUS  
VERSIONS



IP66  
IP67



10-25 mm<sup>2</sup> (1)  
10-35 mm<sup>2</sup> (2)



GRP



IK09



-40 °C  
+60 °C



AC-22  
AC-23



60309-1  
60309-4



4 AUX (3)

(1) Flexible wiring (min.-max.).  
(2) Stranded wiring (min.-max.).  
(3) Flexible wiring 2,2 mm<sup>2</sup>.



**Other cable sections:  
please contact us**

**GRP devices are not  
compatible with metal  
devices.**



**For a black colour  
housing replace the second  
reference character with 5.**

**Dual-voltage  
socket-outlet  
(see p. 11)**

### LOAD-BREAK CAPABILITY OF THE DECONTACTOR™

Comply with IEC/EN 60309-1 and IEC/EN 60309-4 standards	(90 A/690 V) or (63 A/1000 V)
Load-break capability according to IEC/EN 60947-3/AC-22	63 A/690 V
Load-break capability according to IEC/EN 60947-3/AC-23	90 A/400 V
Short-circuit current I <sub>cc</sub>	10 kA
Power kW AC-22/AC-23	45 kW

### SOCKET-OUTLET

female  
**DS6**























**INLET** male  
**DS6**








220-250 V AC	1P+N+E	3164015	3168015
380-440 V AC	3P+E	3164013	3168013
220-250 V AC 380-440 V AC	3P+N+E	3164017	3168017
660-690 V AC	3P+E	3164193	3168193
380-400 V AC 660-690 V AC	3P+N+E	3164197	3168197
1 000 V AC	3P+E	3164223	3168223
Auxiliaries 5 A/500 V AC	+ 2 contacts	Ref. + 972	Ref. + 972
Auxiliaries 5 A/500 V AC	+ 4 contacts	Ref. + 264	Ref. + 264

- ▶ Other currents, voltages, frequencies and contact configurations are available (see page 14).
- ▶ Existing version for 100 A is available, order Reference +634.

OPTIONS	Reference		
<b>LOCKING PIN FOR 2 PADLOCKS Ø 4 TO 8 mm (PADLOCKS NOT SUPPLIED)</b>			
	Socket-outlet ref. +843		
<b>SAFETY HASP FOR UP TO 6 PADLOCKS</b>			
	399A541		
<b>LARGER RELEASE BUTTON</b>			
	Ref. socket +453		
<b>INLET CAP IP66/IP67</b>			
	316A426		
<b>IN-LINE CONNECTIONS (A PAIR OF FINGER DRAW PLATES TO AID CLOSING)</b>			
	316A346		
<b>IP40 SELF RETURNING LID (MANUAL CLOSING)</b>			
	Ref. socket + R		
<b>IP55 METAL LOCKABLE SELF-CLOSING LID FOR INLET</b>			
	316A226		
<b>SELF-EJECTION</b>			
	See page 186		
<b>PRODUCTS AVAILABLE IN BLACK ●</b>			
The black dot means these products are also available in black color. Replace the second character of the product reference with 5			
HANDLE	Input/ Cable outer Ø	Reference	Self-ejection
<b>POLY HANDLE WITH GLAND ●</b>			
	13-35 mm	514P0D35	/
<b>POLY HANDLE + POLY CABLE GLAND ●</b>			
	14-25 mm	514P032P	Ref. +443
	18-32 mm	514P040P	Ref. +443
	24-38 mm	514P050P	Ref. +443
<b>POLY HANDLE (WITHOUT CABLE GLAND) ●</b>			
	M32	514P0M32	Ref. +443
	M40	514P0M40	Ref. +443
	M50	514P0M50	/
<b>METAL HANDLE WITH METAL GLAND (+ EARTHING WIRE)</b>			
	8-16 mm	594P025M	/
	16-24 mm	594P032M	/
	22-32 mm	594P040M	/
	34-44 mm	594P050M	/
<b>METAL HANDLE METRIC THREAD ENTRY (WITHOUT CABLE GLAND)</b>			
	M25	594P0M25	/
	M32	594P0M32	/
	M40	594P0M40	/
	M50	594P0M50	/

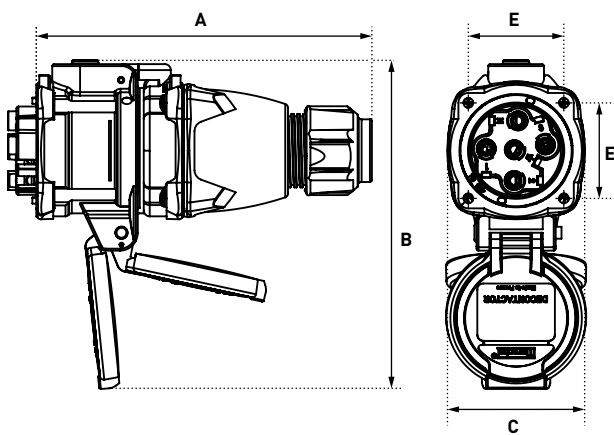
BOXES	∠x°	Input	Reference
<b>POLY BOX ●</b>			
	30°	M32	514B3M32
	30°	M40	514B3M40
<b>METAL BOX (+ EARTHING WIRE)</b>			
	20°	M25	594B2M25
	20°	M32	594B2M32
	20°	M40	594B2M40
<b>POLY BOX + POLY SLEEVE</b>			
	70°	Without hole	514C7000
	70°	Hole Ø 32	514C7M32
Earth bar ref. : 51AA089	70°	Hole Ø 40	514C7M40
<b>METAL BOX (+ EARTHING WIRE) + POLY SLEEVE</b>			
	30°	M25	514C3M25
	30°	M32	514C3M32
	30°	M40	514C3M40
	30°	M50	514C3M50
<b>METAL BOX (+ EARTHING WIRE) + METAL SLEEVE</b>			
	30°	M25	594C3M25
	30°	M32	594C3M32
	30°	M40	594C3M40
	30°	M50	594C3M50
	0° (Straight)	M25	594C0M25
	0° (Straight)	M32	594C0M32
	0° (Straight)	M40	594C0M40
	0° (Straight)	M50	594C0M50
	70°	M25	594C7M25
	70°	M32	594C7M32
	70°	M40	594C7M40
	70°	M50	594C7M50

Cable glands are not delivered with the boxes.

SLEEVE	∠x°	Reference
<b>POLY SLEEVE ●</b>		
	30°	514M3
	70°	514M7
<b>METAL SLEEVE</b>		
	0° (Straight)	594M0
	30°	594M3
	70°	594M7

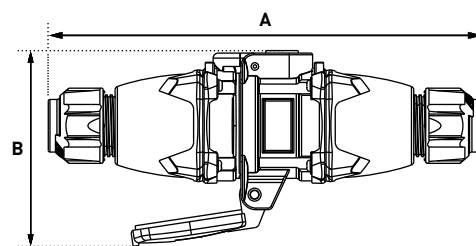
# DRAWINGS AND DIMENSIONS

PLUG ON SOCKET-OUTLET



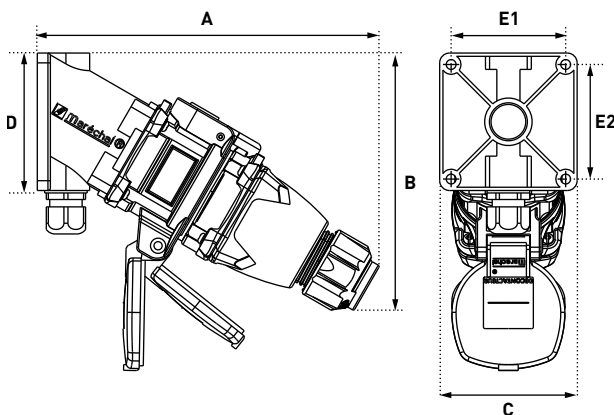
A	B	C	E
203	215	95	66

COUPLER



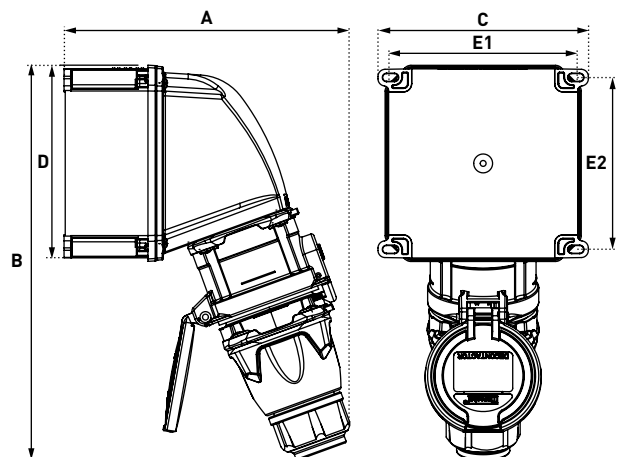
A	B
309	167

PLUG ON 30° WALL MOUNTED SOCKET OUTLET



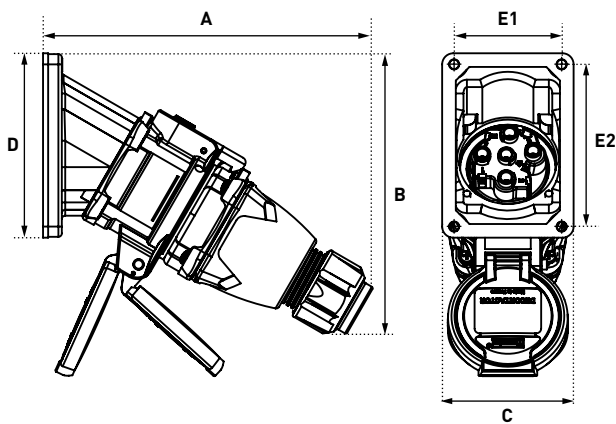
A	B	C	D	E1	E2
283	268	105	128	89	112

PLUG ON 70° WALL-MOUNTED SOCKET-OUTLET



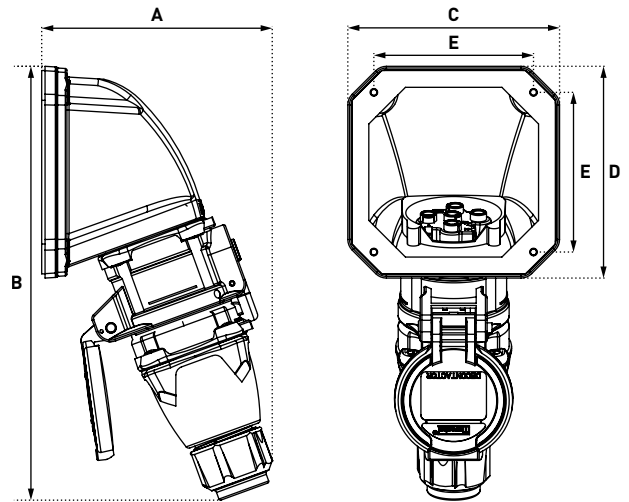
A	B	C	D	E1	E2
242	333	178	166	157	146

PLUG ON 30° INCLINED SOCKET-OUTLET



A	B	C	D	E1	E2
233	258	102	136	87	122

PLUG ON 70° INCLINED SOCKET-OUTLET



A	B	C	D	E
174	336	166	166	135



# 90 A

1 000 V  
U MAXI

## DECONTACTOR™ DS6 METAL

**NEW VERSION**  
IP66/IP67

COMPATIBLE WITH PREVIOUS  
VERSIONS



IP66  
IP67



10-25 mm<sup>2</sup> (1)  
10-35 mm<sup>2</sup> (2)



METAL



IK09



-40 °C  
+60 °C



AC-22  
AC-23



60309-1  
60309-4  
60947-3



4 AUX (3)

(1) Flexible wiring (min.-max.).  
(2) Stranded wiring (min.-max.).  
(3) Flexible wiring : 2,2 mm<sup>2</sup>.



Other configurations on  
request

GRP devices are not  
compatible with metal  
devices.

### LOAD-BREAK CAPABILITY OF THE DECONTACTOR™

Comply with IEC/EN 60309-1 and IEC/EN 60309-4 standards	(90 A/690 V) or (63 A/1000 V)
Load-break capability according to IEC/EN 60947-3/AC-22	63 A/690 V
Load-break capability according to IEC/EN 60947-3/AC-23	90 A/400 V
Short-circuit current I <sub>cc</sub>	10 kA
Power kW AC-22/AC-23	45 kW

**SOCKET-  
OUTLET** female  
DS6












**INLET** male  
DS6











Dual-voltage  
socket-outlet  
(see p. 11)

220-250 V AC	1P+N+E	3964015	3968015
380-440 V AC	3P+E	3964013	3968013
220-250 V AC / 380-440 V AC	3P+N+E	3964017	3968017
660-690 V AC	3P+E	3964193	3968193
380-400 V AC / 660-690 V AC	3P+N+E	3964197	3968197
1 000 V AC	3P+E	3964223	3968223
Auxiliaries 5 A/500 V AC	+ 2 contacts	Ref. + 972	Ref. + 972
Auxiliaries 5 A/500 V AC	+ 4 contacts	Ref. + 264	Ref. + 264






- ▶ Other currents, voltages, frequencies and contact configurations are available (see page 14).
- ▶ Existing version for 100 A is available, order Reference +228.

OPTIONS	Reference
<b>LOCKING PIN FOR 2 PADLOCKS Ø 4 TO 8 mm (PADLOCKS NOT SUPPLIED)</b>	
	Socket-outlet ref. +843
<b>SAFETY HASP FOR UP TO 6 PADLOCKS</b>	
	399A541
<b>LARGER RELEASE BUTTON</b>	
	Ref. socket +453
<b>INLET CAP IP66/IP67</b>	
	316A426
<b>IN-LINE CONNECTIONS (A PAIR OF FINGER DRAW PLATES TO AID CLOSING)</b>	
	316A346
<b>IP40 SELF RETURNING LID (MANUAL CLOSING)</b>	
	Ref. socket + R
<b>IP55 METAL LOCKABLE SELF-CLOSING LID FOR INLET</b>	
	396A226
<b>ELECTROMAGNETIC COMPATIBILITY (EMC) (SEE DETAIL PAGE 300)</b>	
	Ref. socket and metal connector +EMC
<b>SELF-EJECTION</b>	
	See page 186

SLEEVE	∠x°	Reference	EMC Option
<b>POLY SLEEVE</b>			
	30°	514M3	/
	70°	514M7	/
<b>METAL SLEEVE</b>			
	0° (Straight)	594M0	Ref. +EMC
	30°	594M3	Ref. +EMC
	70°	594M7	Ref. +EMC

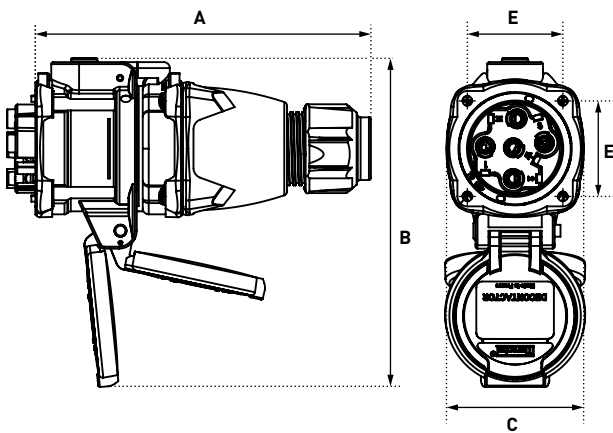
BOXES	∠x°	Input	Ref.	EMC Option
<b>POLY BOX</b>				
	30°	M32	514B3M32	/
	30°	M40	514B3M40	/
<b>METAL BOX (+ EARTHING WIRE)</b>				
	20°	M25	594B2M25	Ref. +EMC
	20°	M32	594B2M32	Ref. +EMC
	20°	M40	594B2M40	Ref. +EMC
<b>POLY BOX + POLY SLEEVE</b>				
	70°	Without hole	514C7000	/
	70°	Ø 32 mm drill hole	514C7M32	/
Earth bar ref. : 51AA089	70°	Ø 40 mm drill hole	514C7M40	/
<b>METAL BOX (+ EARTHING WIRE) + POLY SLEEVE</b>				
	30°	M25	514C3M25	/
	30°	M32	514C3M32	/
	30°	M40	514C3M40	/
	30°	M50	514C3M50	/
<b>METAL BOX (+ EARTHING WIRE) + METAL SLEEVE</b>				
	30°	M25	594C3M25	Ref. +EMC
	30°	M32	594C3M32	Ref. +EMC
	30°	M40	594C3M40	Ref. +EMC
	30°	M50	594C3M50	Ref. +EMC
	0° (Straight)	M25	594C0M25	Ref. +EMC
	0° (Straight)	M32	594C0M32	Ref. +EMC
	0° (Straight)	M40	594C0M40	Ref. +EMC
	0° (Straight)	M50	594C0M50	Ref. +EMC
	70°	M25	594C7M25	Ref. +EMC
	70°	M32	594C7M32	Ref. +EMC
	70°	M40	594C7M40	Ref. +EMC
	70°	M50	594C7M50	Ref. +EMC

Cable glands are not delivered with the boxes.

HANDLE	Input/ Cable outer Ø	Reference	Self-ejection	EMC Option
<b>POLY HANDLE WITH GLAND</b>				
	13-35 mm	514P0D35	/	
<b>POLY HANDLE + POLY CABLE GLAND</b>				
	14-25 mm	514P032P	Ref. +443	
	18-32 mm	514P040P	Ref. +443	
	24-38 mm	514P050P	Ref. +443	
<b>POLY HANDLE (WITHOUT CABLE GLAND)</b>				
	M32	514P0M32	Ref. +443	
	M40	514P0M40	Ref. +443	
	M50	514P0M50	/	
<b>METAL HANDLE + METAL CABLE GLAND (+ EARTHING WIRE)</b>				<b>EMC Option</b>
	8-16 mm	594P025M	Ref. +EMC	Ref. +EMC (9-16 mm)
	16-24 mm	594P032M	Ref. +EMC	Ref. +EMC (11-21 mm)
	22-32 mm	594P040M	Ref. +EMC	Ref. +EMC (19-28 mm)
	34-44 mm	594P050M	Ref. +EMC	Ref. +EMC (27-35 mm)
<b>METAL HANDLE METRIC THREAD ENTRY (WITHOUT CABLE GLAND)</b>				
	M25	594P0M25	Ref. +EMC	
	M32	594P0M32	Ref. +EMC	
	M40	594P0M40	Ref. +EMC	
	M50	594P0M50	Ref. +EMC	

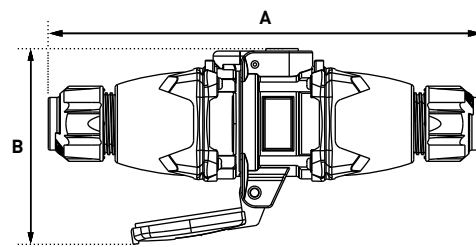
# DRAWINGS AND DIMENSIONS

PLUG ON SOCKET-OUTLET



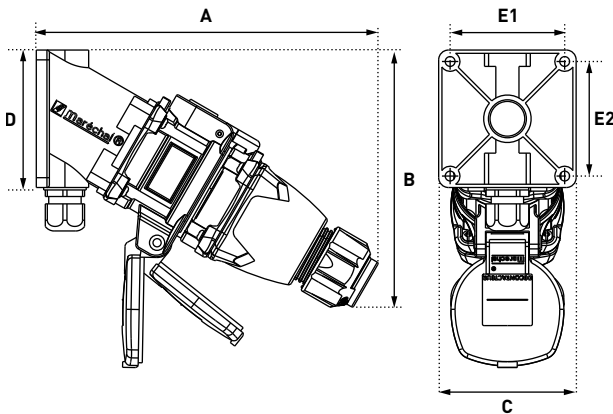
A	B	C	E
203	175	95	66

COUPLER



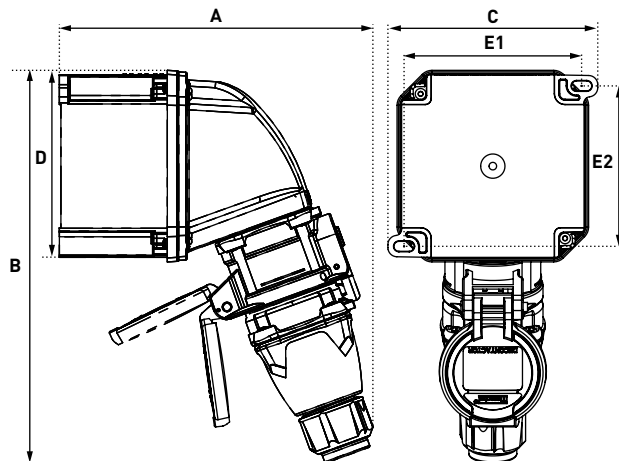
A	B
309	127

PLUG ON 30° WALL MOUNTED SOCKET OUTLET



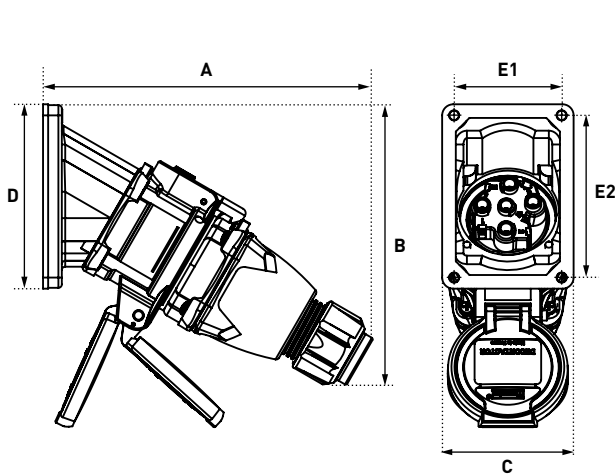
A	B	C	D	E1	E2
283	215	105	130	88	112

PLUG ON 70° WALL-MOUNTED SOCKET-OUTLET



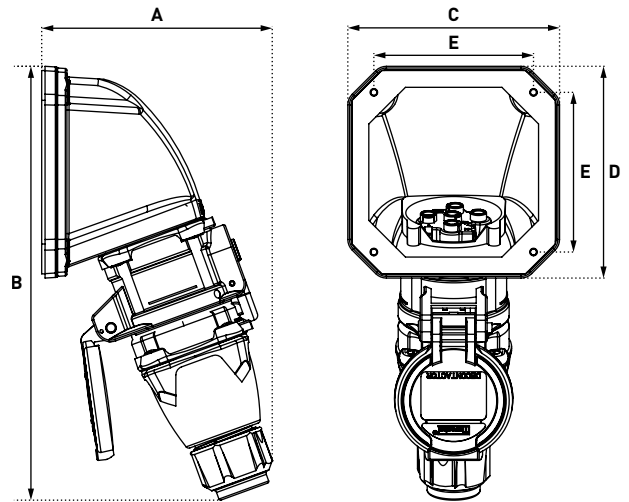
A	B	C	D	E1	E2
242	333	178	166	157	146

PLUG ON 30° INCLINED SOCKET-OUTLET



A	B	C	D	E1	E2
279	257	102	136	88	122

PLUG ON 70° INCLINED SOCKET-OUTLET



A	B	C	D	E
175	338	102	135	88

