

250 A 1 000 V

U_{MAXI}

DECONTACTOR™ DS2



IP66
IP67



70-95 mm² (1)
70-120 mm² (2)



METAL



IK10



-40 °C
+60 °C



AC-22
AC-23



60309-1
60309-4
60947-3



6 AUX (3)

(1) Flexible wiring (min.-max.).
(2) Stranded wiring (min.-max.).
(3) Flexible wiring : 2,5 mm².

LOAD-BREAK CAPABILITY OF THE DECONTACTOR™

Comply with IEC/EN 60309-1 and IEC/EN 60309-4 standards	(250 A/500 V) or (200 A/690 V)
Load-break capability according to IEC/EN 60947-3/AC-22	(250 A/400 V) or (125 A/690 V)
Load-break capability according to IEC/EN 60947-3/AC-23	160 A/440 V
Short-circuit current I _{cc}	10 kA



Other configurations on request

SOCKET-OUTLET
female
DS2



INLET male
DS2*












380-440 V AC	3P+E	3924013	3928013
220-250 V AC 380-440 V AC	3P+N+E	3924017	3928017
660-690 V AC	3P+E	3924193	3928193
380-400 V AC 660-690 V AC	3P+N+E	3924197	3928197
1 000 V AC**	3P+E	3924223	3928223
Auxiliaries 5 A/400 V AC	+ 2 contacts	Ref. + 972	Ref. + 972
Auxiliaries 5 A/400 V AC	+ 4 contacts**	Ref. + 174	Ref. + 174
Auxiliaries 5 A/400 V AC	+ 6 contacts**	Ref. + 976	Ref. + 976

► Other currents, voltages, frequencies and contact configurations are available (see page 14).



* These versions cannot be ordered with neutral.


** without breaking capacity.

*** When the inlet is mounted without sleeve, it is necessary to add a spacer.

OPTIONS	Section de câblage	Reference
LOCKING PIN FOR 2 PADLOCKS Ø 4 TO 8 mm (PADLOCKS NOT SUPPLIED)		
		Socket-outlet ref. +843
SAFETY HASP FOR UP TO 6 PADLOCKS		
		399A541
ALLEN-SCREW LOCKING LATCH		
Direct latch locking, no padlocking option.		Ref. socket + 22
INLET CAP IP66/IP67		
		392A426
IP40 SELF RETURNING LID (MANUAL CLOSING)		
		Socket-outlet ref.+R
ELECTROMAGNETIC COMPATIBILITY (EMC) (SEE DETAIL PAGE 300)		
		Ref. socket and metal connector +EMC
CABLE AMPLIFIER LUGS		
	Flexible 120 mm ² Stranded 150 mm ²	392A277150 ⁽¹⁾
CABLE AMPLIFIER LUGS		
	Flexible 150 mm ² Stranded 185 mm ²	392A277185 ⁽¹⁾
SPACERS (BETWEEN THE WALL BOX OR PANEL)		
	Depth 68 mm	577M0-68
	Depth 115 mm	577M0-115


(1) When using cable amplifier lugs, we recommend to use spacers (between the wall or panel) for some of the accessories. Contact us for choosing the right accessories.


SLEEVE	∠x°	Reference	EMC Option
METAL SLEEVE			
	0° (Straight)	596M0	Ref. +EMC
	60°	596M6	Ref. +EMC


BOXES	∠x°	Input	Ref.	EMC Option
METAL BOX (+ EARTHING WIRE) + METAL SLEEVE + CORNET				
	60°	M50	596E6M50	Ref. +EMC
	60°	M63	596E6M63	Ref. +EMC
	60°	M75	596E6M75	Ref. +EMC

Cable glands are not delivered with the boxes.

HANDLE	Input/ Cable outer Ø	Reference	EMC Option
ELASTOMER HANDLE WITH GLAND			
	25-35 mm	556P0D35	/
	35-45 mm	556P0D45	/
	45-49 mm	556P0D49	/
POLY HANDLE + POLY CABLE GLAND			
	35-48 mm	516P063P	/
POLY HANDLE (WITHOUT CABLE GLAND)			
	M63	516P0M63	/
	M75	516P0M75	/

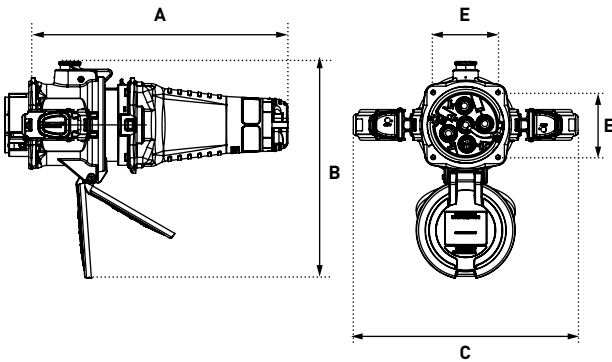
METAL HANDLE WITH INTEGRATED CABLE CLAMP			NEW
	40-50 mm	5K6P0D50	/
	51-60 mm	5K6P0D60	/
	61-70 mm	5K6P0D70	/
	71-80 mm	5K6P0D80	/
	81-90 mm	5K6P0D90	/

METAL HANDLE METRIC THREAD ENTRY (WITHOUT CABLE GLAND)			
	M50	596P0M50	Ref. +EMC
	M63	596P0M63	Ref. +EMC
	M75	596P0M75	Ref. +EMC

METAL HANDLE METRIC THREAD ENTRY (WITHOUT CABLE GLAND) - LARGE SIZE			
	M63	796P0M63	Ref. +EMC
	M75	796P0M75	Ref. +EMC

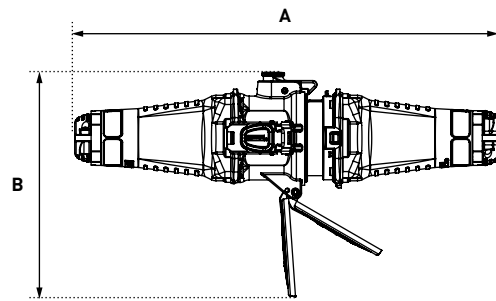
DRAWINGS AND DIMENSIONS

PLUG ON SOCKET-OUTLET



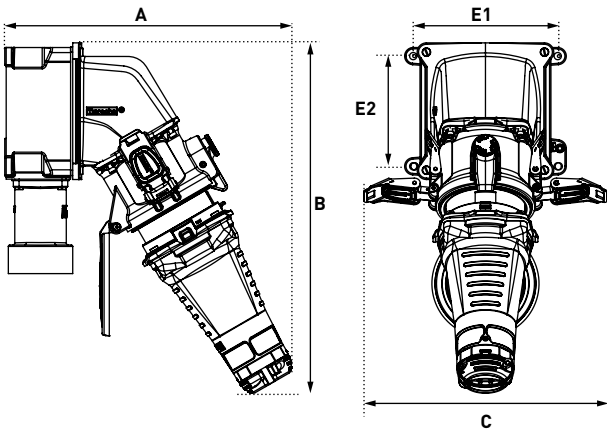
A	B	C	E
392	327	340	98

COUPLER



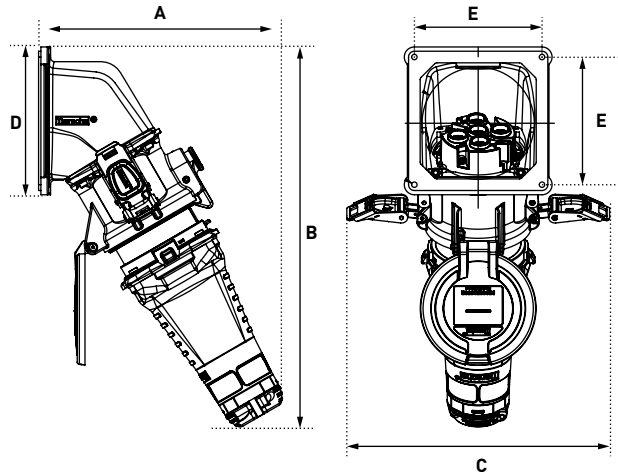
A	B
620	327

PLUG ON 60° WALL BOX MOUNTED SOCKET OUTLET



A	B	C	E1	E2
401	490	340	202	154

PLUG ON 60° INCLINED SOCKET OUTLET



A	B	C	D	E
315	491	340	191	165

