

30 A

690 V
U_{MAXI}

DECONTACTOR™ DS1



IP54⁽¹⁾
IP55⁽²⁾



2,5-6 mm² ⁽³⁾
2,5-10 mm² ⁽⁴⁾



GRP



IK09



-40 °C
+60 °C



AC-22
AC-23



60309-1
60309-4
60947-3



2 AUX⁽⁵⁾

- [1] IP protection plug connected
- [2] IP protection lid closed
- [3] Flexible wiring (min.-max.).
- [4] Stranded wiring (min.-max.).
- [5] Flexible wiring : 2,5-6 mm²,
stranded : 2,5-10 mm²

LOAD-BREAK CAPABILITY OF THE DECONTACTOR™

Comply with IEC/EN 60309-1 and IEC/EN 60309-4 standards	30 A/690 V
Load-break capability according to IEC/EN 60947-3/AC-22	30 A/690 V
Load-break capability according to IEC/EN 60947-3/AC-23	30 A/480 V
Short-circuit current I _{cc}	10 kA
Power kW AC-22/AC-23	15 kW



Other cable sections:
please contact us



For a black colour
housing replace the second
reference character with 5.

**SOCKET-
OUTLET** female
DS1



INLET male
DS1

















Dual-voltage
socket-outlet
(see p. 11)

20-24 V AC	2P	311408A	311808A
220-250 V AC	1P+N+E	3114015	3118015
380-440 V AC	3P+E	3114013	3118013
220-250 V AC 380-440 V AC	3P+N+E	3114017	3118017
660-690 V AC	3P+E	3114193	3118193
380-400 V AC 660-690 V AC	3P+N+E	3114197	3118197
Up to 500 V AC - Auxiliaries 30 A*	+ 2 contacts	Ref. + 972	Ref. + 972

► Other currents, voltages, frequencies and contact configurations are available (see page 14).






* When ordering the auxiliary option, the maximum tolerated voltage is reduced to 500 V AC.

OPTIONS	Reference
INDUSTRIAL/DOMESTIC ADAPTERS	
Industrial inlet MARECHAL® 1P+N+E and domestic socket-outlet 10/16A 230 V fuse protection 10A and 16A (with integrated fuse). All these plug adapters are available to local standards: replace D11 by D40 for UK, D30 for Germany/Netherlands/Luxembourg, D06 for Italy.	
	3118015D11
COUPLER FITTED WITH A DIFFERENTIAL BREAKER	
Coupler fitted with a domestic plug (IP44 - 10/16 A 250V 2P+E), a mobile socket-outlet (DS1 type - IP55-230V 1P+N+E) and a differential circuit breaker (IP55-10 or 30mA - nominal current 16A) with reset button.	
	3114015ID3 (30 mA)
LOCKING PIN FOR 2 PADLOCKS Ø 4 TO 8 mm (PADLOCK NOT SUPPLIED)	
	Socket-outlet ref. +843
SAFETY HASP FOR UP TO 6 PADLOCKS	
	613A541
LARGER RELEASE BUTTON	
	Ref. socket +453
INLET CAP IP66/IP67	
	311A426
IN-LINE CONNECTIONS (A PAIR OF FINGER DRAW PLATES TO AID CLOSING)	
	613A346
IP55 SELF-RETURNING LID	
	Socket-outlet ref.+R
IP55 METAL LOCKABLE SELF-CLOSING LID FOR INLET	
	311A226
SELF-EJECTING	
	See page 186
PRODUCTS AVAILABLE IN BLACK ●	
The black dot means these products are also available in black color. Replace the second character of the product reference with 5	

SLEEVE	Reference
POLY SLEEVE ●	
	30° 512M3
	70° 512M7
METAL SLEEVE	
	0° (Straight) 592M0
	30° 592M3

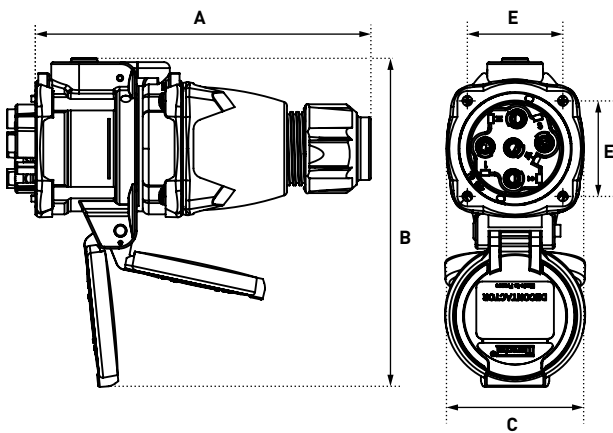
BOXES	Input	Reference
POLY BOX ●		
	30° M20	512B3M20
	30° M25	512B3M25
METAL BOX (+ EARTHING WIRE)		
	20° M20	592B2M20
	20° M25	592B2M25
POLY BOX + POLY SLEEVE		
	70° Without hole	512C7000
	70° Hole Ø 20	512C7M20
	70° Hole Ø 25	512C7M25
Earth bar ref. : 51AA089	70° Hole Ø 32	512C7M32
	70° Hole Ø 40	512C7M40
METAL BOX (+ EARTHING WIRE) + POLY SLEEVE		
	30° M20	512C3M20
	30° M25	512C3M25
	30° M32	512C3M32
	30° M40	512C3M40
METAL BOX (+ EARTHING WIRE) + METAL SLEEVE		
	30° M20	592C3M20
	30° M25	592C3M25
	30° M32	592C3M32
	0° (Straight) M20	592C0M20
	0° (Straight) M25	592C0M25
	0° (Straight) M32	592C0M32

Cable glands are not delivered with the boxes.

HANDLE	Input/ Cable outer Ø	Reference	Self-ejection
POLY HANDLE WITH GLAND ●			
	5-21 mm	512P0D21	/
POLY HANDLE + POLY CABLE GLAND ●			
	5-12 mm	512P020P	Ref. +443
	9-18 mm	512P025P	Ref. +443
	14-25 mm	512P032P	Ref. +443
	18-32 mm	512P040P	Ref. +443
POLY HANDLE (WITHOUT CABLE GLAND) ●			
	M20	512P0M20	Ref. +443
	M25	512P0M25	Ref. +443
	M32	512P0M32	Ref. +443
	M40	512P0M40	Ref. +443
METAL HANDLE WITH METAL GLAND (+ EARTHING WIRE)			
	7-13 mm	592P020M	/
	8-16 mm	592P025M	/
	16-24 mm	592P032M	/
METAL HANDLE METRIC THREAD ENTRY (WITHOUT CABLE GLAND)			
	M20	592P0M20	/
	M25	592P0M25	/
	M32	592P0M32	/

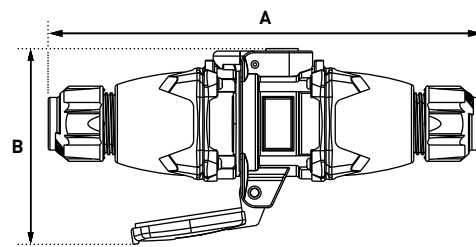
DRAWINGS AND DIMENSIONS

PLUG ON SOCKET-OUTLET



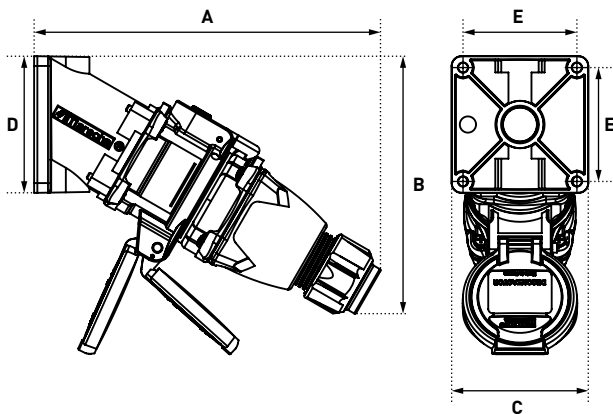
A	B	C	E
166	163	69	48

COUPLER



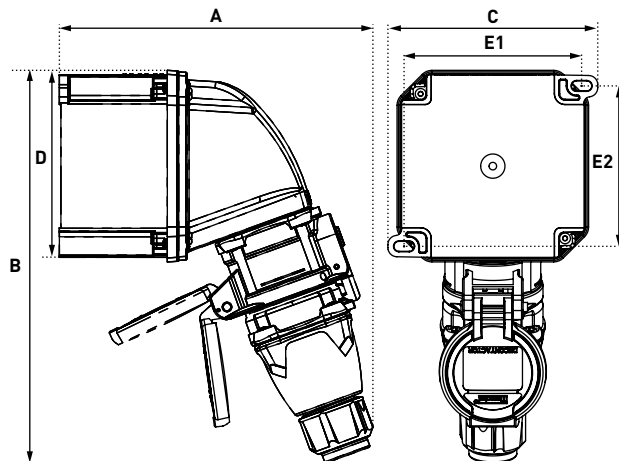
A	B	C
259	117	69

PLUG ON 30° WALL MOUNTED SOCKET OUTLET



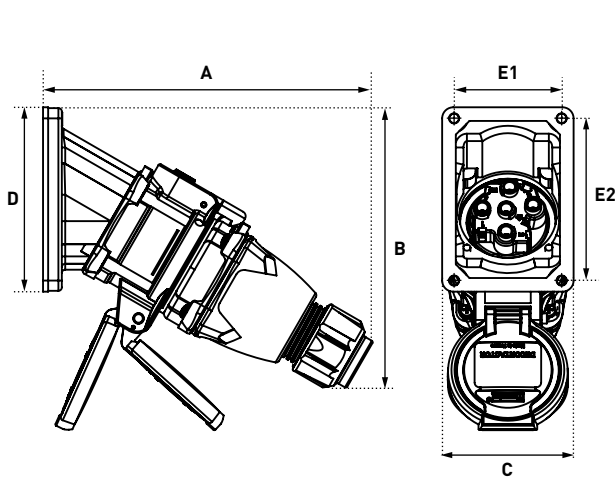
A	B	C	D	E
209	157	84	84	70

PLUG ON 70° WALL-MOUNTED SOCKET-OUTLET

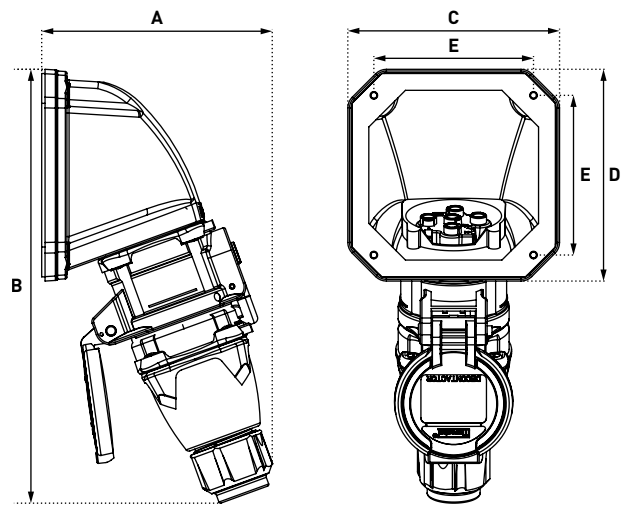


A	B	C	D	E1	E2
206	259	138	126	117	106

PLUG ON 30° INCLINED SOCKET-OUTLET



PLUG ON 70° INCLINED SOCKET-OUTLET



A	B	C	D	E1	E2
193	200	77	108	63	95

A	B	C	D	E
138	259	126	126	95

