

MULTICONTACTS CONNECTORS

7 CONTACTS

25 A

PN7C



7 CONTACTS

50 A/100 A

DS7C3/6



9 CONTACTS

30 A

DN9C



12 CONTACTS

16 A

PN12C



MODEL

MAX NB OF CONTACTS

CURRENT

U MAX
AC

PN7C

6+E (screw-type)

25 A

500 V

DS7C3

6+E (screw-type)

50 A

500 V

DS7C6

6+E (screw-type)

100 A

500 V

DN9C

8+E (screw-type)

30 A

415 V

PN12C

11+E (welding/crimping)

16 A

480 V

DSN12C

11+E (welding/crimping)

16 A

480 V

DN20C

19+E (screw-type)

25 A

415 V

DSN24C

23+E (welding/crimping)

16 A

480 V

DSN37C

36+E (welding/crimping)

16 A

480 V

DOWNLOAD ALL TECHNICAL SHEETS ON OUR WEBSITE MARECHAL.COM

SELECTION GUIDE

12 CONTACTS
16 A

DSN12C



20 CONTACTS
25 A

DN20C



24 CONTACTS
16 A

DSN24C



37 CONTACTS
16 A

DSN37C



MULTICONTACTS

MATERIAL

IP

EMC OPTION

IK

PAGE

POLY
METAL

IP66/IP67

Yes (metal)

IK09

140

METAL

IP66/IP67

Yes

IK09

144

POLY
METAL

IP66/IP67

Yes (metal)

IK09

148

METAL

IP54/IP55

Yes

IK09

152

POLY
METAL

IP66/IP67

Yes (metal)

IK09

156

POLY

IP66/IP67

/

IK09

160

METAL

IP54/IP55

/

IK09

164

POLY

IP66/IP67

/

IK09

168

POLY

IP66/IP67

/

IK09

172

CRIMPING CONTACTS

FOR PN12C/DSN12C/DSN24C/DSN37C

ECONOMIC AND TECHNICAL ADVANTAGES

Crimping ensures an economical and sustainable solution through installation time saving and quality of connection.

- No need for soldering performance qualifications.
- High resistance to vibrations.
- Handling more than 5000 operations: a high durability and quality of connection guaranteed.

ACCESSORIES AND OPTIONS	DESIGNATION	REFERENCE
	Bag of 13 females contacts	01AA213
	Bag of 13 males contacts	01AA113 (PN12C/DSN12C) 61CA113 (DSN24C/DSN37C)
	Multi-Contact removal tool	61CA593
	European crimping tool	61CA500
	Helavia sleeve expansion tool	61CA400
	Bag of 13 heat shrink insulation sleeves	61CA083

FAST WIRING

- Cable conductors: 1 mm² to 2,5 mm²
- Before wiring, add a heat-shrink sleeve or insulating sleeve on each conductor.
- After wiring, cover the visible portion of the contact with the sleeve.
- Sertissage : utiliser une pince « Knipex » ref. 61CA500.
- Use the 4 mm² footprint whatever the conductor cross-section.
- Perform double crimping in compliance with NF C 20-130 and CEI 60352-2 standards.
- Conductors can equally be soldered.

INFOS +

Leaving 2 contacts unused can give 9 different keying positions (on socket outlet side or mobile plug side) using the two specific stopping plugs supplied.

SIMPLE ASSEMBLY AND DISASSEMBLY

ASSEMBLY

To insert contacts when they have been wired is simple. Push wired contact into rear of insulator until it stops to complete the installation.

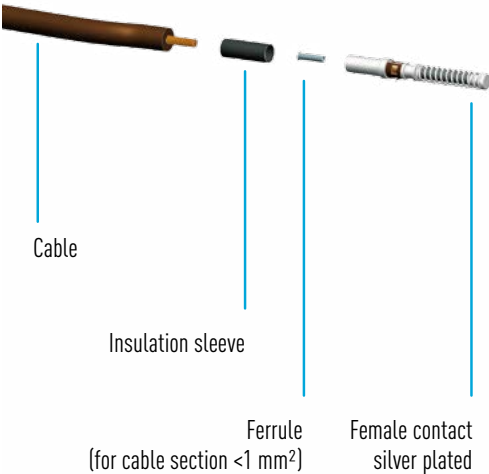


DISASSEMBLY

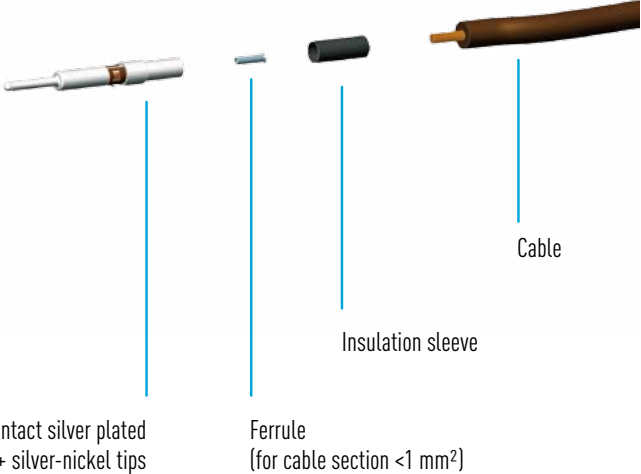
To remove, use the tool provided. Push tool from front onto contact until tool stops. Contact is then released at rear of insulator.



Socket-outlet side



Connector side



7 CONTACTS

25 A

500 V
U_{MAXI}

MULTICONTACTS CONNECTORS PN7C



IP66
IP67



1-4 mm² (1)
1-6 mm² (2)



GRP
METAL



IK09



-40 °C
+60 °C

(1) Flexible wiring (min.-max.).
(2) Stranded wiring (min.-max.).

OTHER FEATURES

∑ of currents (contacts)	≤ 130 A
Terminals wiring	screw-type



SOCKET-OUTLET
female
PN7c



INLET male
PN7c



GRP devices are not compatible with metal devices.

50 V AC	6P (16 A)	01P4060	01P8060
50 V AC	7P (16 A)	01P4070	01P8070
500 V AC	5P+E (25 A)	01P4051	01P8051
500 V AC	6P+E (16 A)	01P4061	01P8061



SOCKET-OUTLET
female
PN7c
















INLET male
PN7c







For a black colour GRP housing replace the second reference character with 5.

50 V AC	6P (16 A)	09P4060	09P8060
50 V AC	7P (16 A)	09P4070	09P8070
480 V AC	5P+E (25 A)	09P4051	09P8051
480 V AC	6P+E (16 A)	09P4061	09P8061

OPTIONS	Reference
LOCKING FOR 1 PADLOCK Ø 4 mm (WITHOUT SHAFT)	
	Ref. + 843
SCREW LOCKING IMPRINT BTR 2,5	
	Ref. + 22
INLET CAP	
	01NA426
REVERSED INTERIOR AND CONTACTS	
 The connector is supplied with a rubber inlet cap.	Ref. conn. + 001 Ref. socket + 001
180° OPENING LID	
	Ref. socket + 10
IP40 SELF RETURNING LID (MANUAL CLOSING)	
	Socket-outlet ref.+R
180° OPENING + SELF-RETURNING LID	
	Ref. socket + 18
ELECTROMAGNETIC COMPATIBILITY (EMC) (SEE DETAIL PAGE 300)	
	Ref. socket and metal connector +EMC
PRODUCTS AVAILABLE IN BLACK ●	
The black dot means these products are also available in black color. Replace the second character of the product reference with 5	

SLEEVE	Δx°	Reference	Option EMC
POLY SLEEVE ●			
	30°	511M3	/
	70°	511M7	/
METAL SLEEVE			
	0° (Straight)	591M0	Ref. +EMC
	30°	591M3	Ref. +EMC
	45°	591M4	/

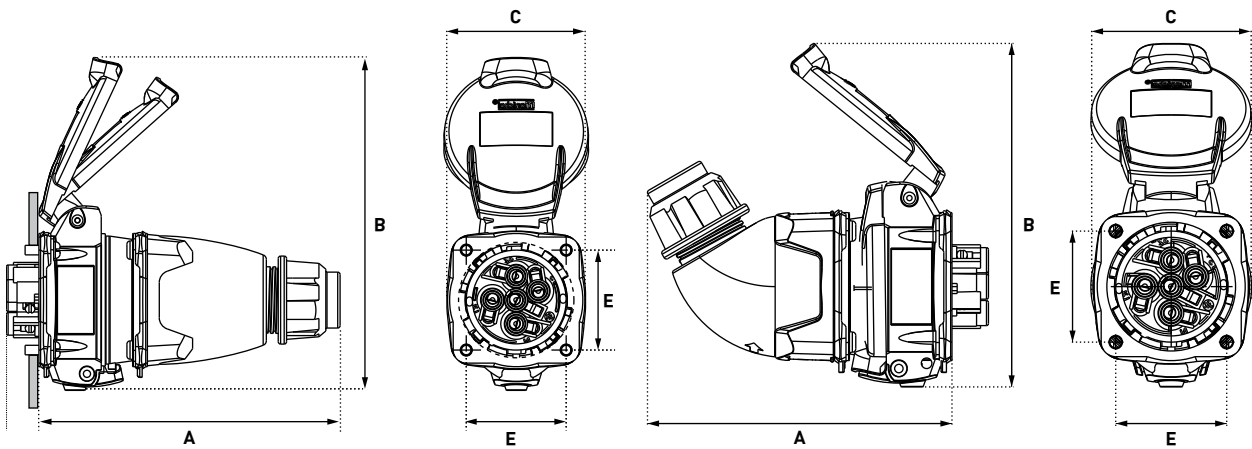
BOXES	Δx°	Input	Ref.	Option EMC
POLY BOX ●				
	30°	M20	511B3M20	/
	30°	M25	511B3M25	/
POLY BOX + POLY SLEEVE				
	70°	Without hole	511C7000	/
	70°	Hole Ø 20	511C7M20	/
Earth bar ref. : 51AA089	70°	Hole Ø 25	511C7M25	/
	70°	Hole Ø 32	511C7M32	/
METAL BOX (+ EARTHING WIRE) + POLY SLEEVE				
	30°	M20	511C3M20	/
METAL BOX (+ EARTHING WIRE) + METAL SLEEVE				
	45°	M20	591C4M20	Ref. +EMC
	45°	M25	591C4M25	Ref. +EMC
	45°	M32	591C4M32	Ref. +EMC

Cable glands are not delivered with the boxes.

HANDLE	Input/ Cable outer Ø	Ref.	Option EMC
POLY HANDLE WITH GLAND ●			
	9-18 mm	511P0D18	/
	5-21 mm	511P0D21	/
	9-18 mm	511P6D18	/
POLY HANDLE + POLY CABLE GLAND ●			
	5-12 mm	511P020P	/
	9-18 mm	511P025P	/
	14-25 mm	511P032P	/
METAL HANDLE WITH METAL GLAND (+ EARTHING WIRE)			
	7-13 mm	591P020M	Ref. +EMC
	8-16 mm	591P025M	Ref. +EMC
	16-24 mm	591P032M	Ref. +EMC
POLY HANDLE (WITHOUT CABLE GLAND) ●			
	M20	511P0M20	/
	M25	511P0M25	/
	M32	511P0M32	/
METAL HANDLE METRIC THREAD ENTRY (WITHOUT CABLE GLAND)			
	M20	591P0M20	Ref. +EMC
	M25	591P0M25	Ref. +EMC
	M32	591P0M32	Ref. +EMC

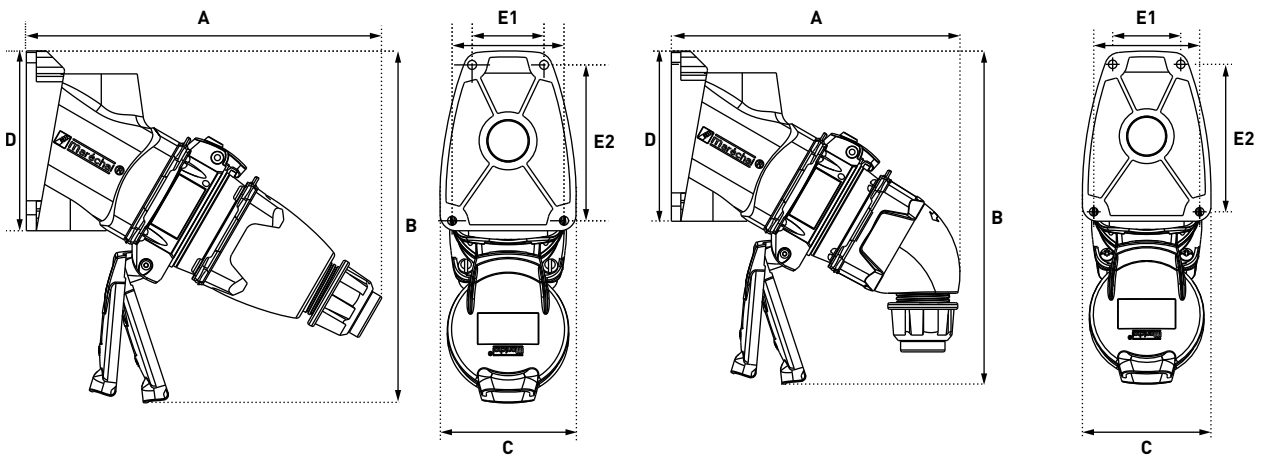
DRAWINGS AND DIMENSIONS

PLUG ON SOCKET-OUTLET



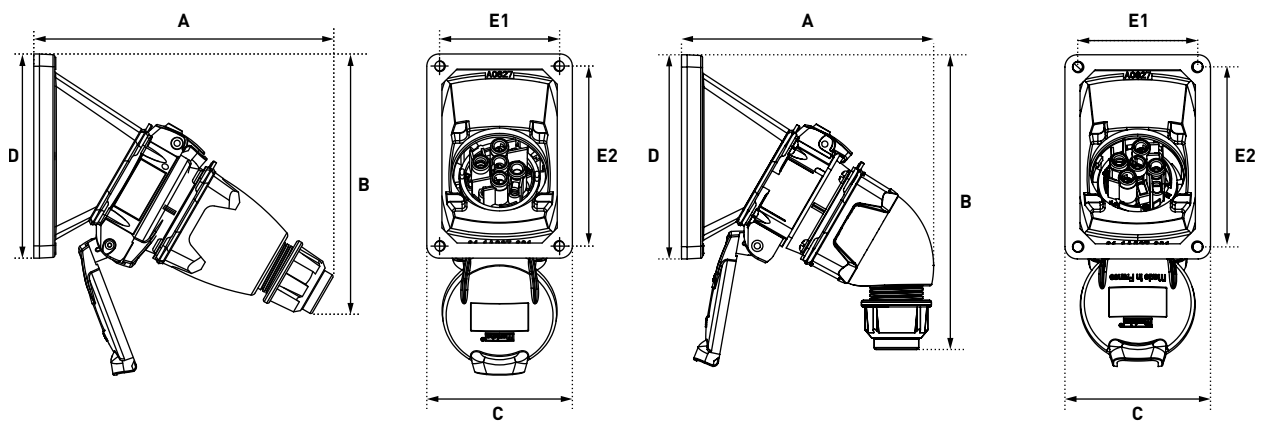
	A	B	C	E
Straight handle	127	140	58	42
Angled handle	117	138	61	42

PLUG ON 30° WALL MOUNTED SOCKET OUTLET



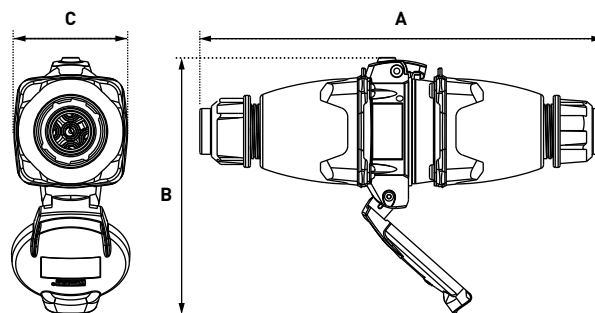
	A	B	B	D	E1	E2
Straight handle	178	176	68	90	36/56	78
Angled handle	153	176	68	90	36/56	78

PLUG ON 30° INCLINED SOCKET-OUTLET



	A	B	C	D	E1	E2
Straight handle	160	170	77	108	63	95
Angled handle	133	165	77	108	63	95

COUPLER



	A	B	C
Straight handle	208	132	58

7 CONTACTS

50 A

500 V
U_{MAXI}

DECONTACTOR™ DS7C3

NEW VERSION

IP66/IP67

COMPATIBLE WITH PREVIOUS
VERSIONS



IP66
IP67



2,5-6 mm² (1)
2,5-10 mm² (2)



METAL



IK09



-40 °C
+60 °C



AC-22
AC-23



60309-1
60309-4
60947-3



3 AUX

(1) Flexible wiring (min.-max.).
(2) Stranded wiring (min.-max.).



For GRP versions,
contact us.

LOAD-BREAK CAPABILITY OF THE DECONTACTOR™

Comply with IEC/EN 60309-1 standards	50 A/500 V
Load-break capability according to IEC/EN 60947-3/AC-22	50 A/500 V

OTHER FEATURES

Terminals wiring	screw-type
Flexible and stranded wiring (min.-max.)	2,5-10 mm ²

SOCKET-OUTLET















female
DS7c3









INLET male
DS7c3







50 A/max 500 V AC	6P+E	3934561	3938561
50 A/max 500 V AC Auxiliaries 10 A/400 V	6P+E+3 aux.	3934561972	3938561972

OPTIONS	Reference		
LOCKING PIN FOR 2 PADLOCKS Ø 4 TO 8 mm (PADLOCKS NOT SUPPLIED)			
	Socket-outlet ref. +843		
SAFETY HASP FOR UP TO 6 PADLOCKS			
	399A541		
LARGER RELEASE BUTTON			
	Ref. socket +453		
INLET CAP IP66/IP67			
	316A426		
IN-LINE CONNECTIONS (A PAIR OF FINGER DRAW PLATES TO AID CLOSING)			
	316A346		
IP40 SELF RETURNING LID (MANUAL CLOSING)			
	Ref. socket poly + R		
IP55 METAL LOCKABLE SELF-CLOSING LID FOR INLET			
	396A226		
ELECTROMAGNETIC COMPATIBILITY (EMC) (SEE DETAIL PAGE 300)			
	Ref. socket and metal connector +EMC		
SELF-EJECTION			
	See page 186		
HANDLE	Input/ Cable outer Ø	Reference	Self-ejection
POLY HANDLE WITH GLAND			
	13-35 mm	514P0D35	/
POLY HANDLE + POLY CABLE GLAND			
	14-25 mm	514P032P	Ref. +443
	18-32 mm	514P040P	Ref. +443
	24-38 mm	514P050P	Ref. +443
POLY HANDLE (WITHOUT CABLE GLAND)			
	M32	514P0M32	Ref. +443
	M40	514P0M40	Ref. +443
	M50	514P0M50	/
METAL HANDLE + METAL CABLE GLAND (+ EARTHING WIRE)			EMC Option
	8-16 mm	594P025M	Ref. +EMC (9-16 mm)
	16-24 mm	594P032M	Ref. +EMC (11-21 mm)
	22-32 mm	594P040M	Ref. +EMC (19-28 mm)
	34-44 mm	594P050M	Ref. +EMC (27-35 mm)
METAL HANDLE METRIC THREAD ENTRY (WITHOUT CABLE GLAND)			
	M25	594P0M25	Ref. +EMC
	M32	594P0M32	Ref. +EMC
	M40	594P0M40	Ref. +EMC
	M50	594P0M50	Ref. +EMC

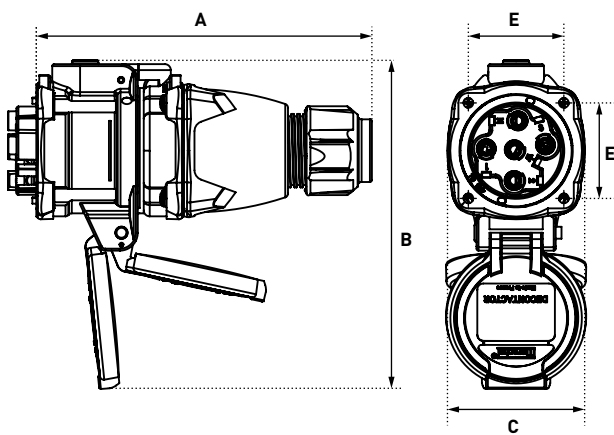
BOXES	∠x°	Input	Ref.	EMC Option
POLY BOX				
	30°	M32	514B3M32	/
	30°	M40	514B3M40	/
METAL BOX (+ EARTHING WIRE)				
	20°	M25	594B2M25	Ref. +EMC
	20°	M32	594B2M32	Ref. +EMC
	20°	M40	594B2M40	Ref. +EMC
POLY BOX + POLY SLEEVE				
	70°	Without hole	514C7000	/
	70°	Ø 32 mm drill hole	514C7M32	/
Earth bar ref. : 51AA089	70°	Ø 40 mm drill hole	514C7M40	/
METAL BOX (+ EARTHING WIRE) + POLY SLEEVE				
	30°	M25	514C3M25	/
	30°	M32	514C3M32	/
	30°	M40	514C3M40	/
	30°	M50	514C3M50	/
METAL BOX (+ EARTHING WIRE) + METAL SLEEVE				
	30°	M25	594C3M25	Ref. +EMC
	30°	M32	594C3M32	Ref. +EMC
	30°	M40	594C3M40	Ref. +EMC
	30°	M50	594C3M50	Ref. +EMC
	0° (Straight)	M25	594C0M25	Ref. +EMC
	0° (Straight)	M32	594C0M32	Ref. +EMC
	0° (Straight)	M40	594C0M40	Ref. +EMC
	0° (Straight)	M50	594C0M50	Ref. +EMC
	70°	M25	594C7M25	Ref. +EMC
	70°	M32	594C7M32	Ref. +EMC
	70°	M40	594C7M40	Ref. +EMC
	70°	M50	594C7M50	Ref. +EMC

Cable glands are not delivered with the boxes.

SLEEVE	∠x°	Reference	EMC Option
POLY SLEEVE			
	30°	514M3	/
	70°	514M7	/
METAL SLEEVE			
	0° (Straight)	594M0	Ref. +EMC
	30°	594M3	Ref. +EMC
	70°	594M7	Ref. +EMC

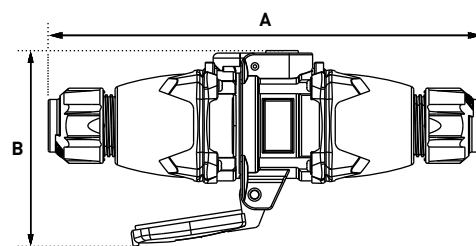
DRAWINGS AND DIMENSIONS

PLUG ON SOCKET-OUTLET



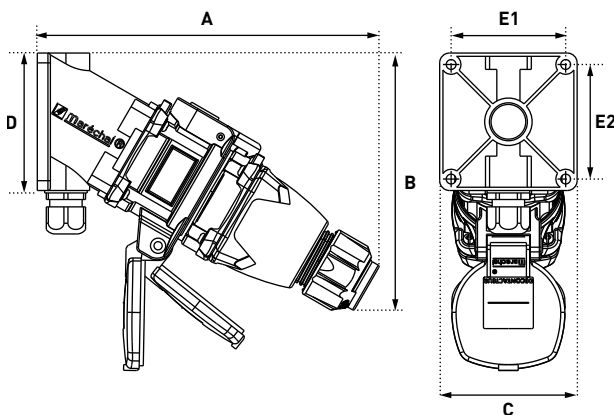
A	B	C	E
203	215	95	66

COUPLER



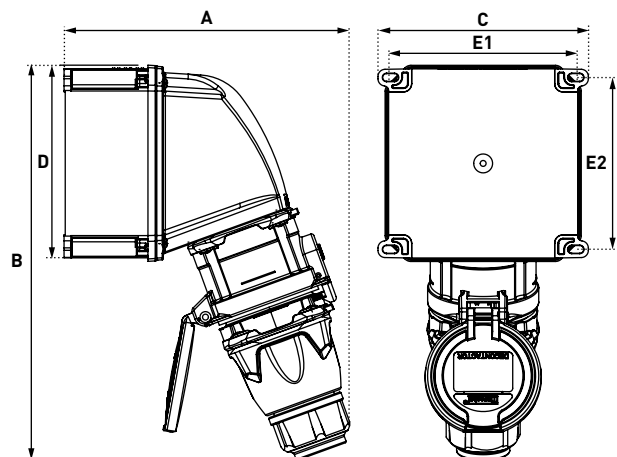
A	B
309	167

PLUG ON 30° WALL MOUNTED SOCKET OUTLET



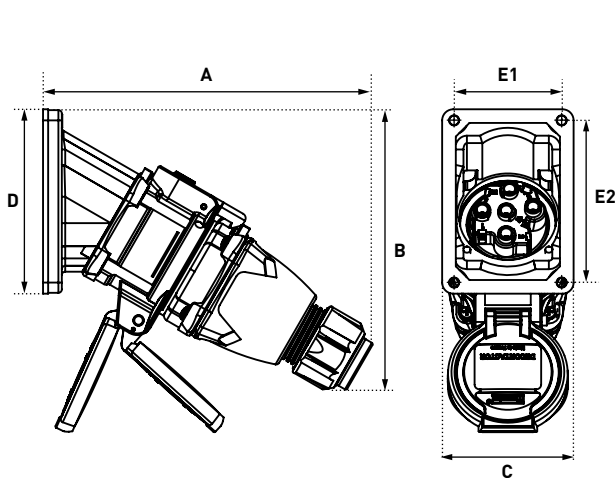
A	B	C	D	E1	E2
283	268	105	128	89	112

PLUG ON 70° WALL-MOUNTED SOCKET-OUTLET



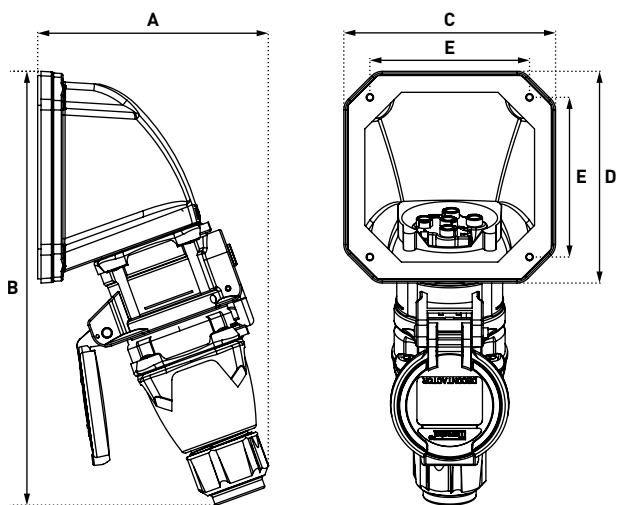
A	B	C	D	E1	E2
242	333	178	166	157	146

PLUG ON 30° INCLINED SOCKET-OUTLET



A	B	C	D	E1	E2
233	258	102	136	87	122

PLUG ON 70° INCLINED SOCKET-OUTLET



A	B	C	D	E
174	336	166	166	135



7 CONTACTS

100 A

500 V
U_{MAXI}

CONNECTOR DS7C6

NEW



IP54
IP55



10-25 mm² (1)
10-35 mm² (2)



GRP
METAL



IK09



-40 °C
+60 °C



6 AUX

(1) Flexible wiring (min.-max.).
(2) Stranded wiring (min.-max.).

OTHER FEATURES

Terminals wiring	screw-type
Stranded or flexible auxiliary wiring (min.-max.)	2 mm ²



SOCKET-OUTLET
female
DS7c6



INLET male
DS7c6



100 A/max 500 V AC	6P+E	3164561	3168561
Auxiliaries 10A/500 V AC	+ 2 contacts	Ref. + 262	Ref. + 262
Auxiliaries 10A/500 V AC	+ 4 contacts	Ref. + 264	Ref. + 264
Auxiliaries 10A/500 V AC	+ 6 contacts	Ref. + 976	Ref. + 976










SOCKET-OUTLET
female
DS7c6














INLET male
DS7c6



100 A/max 500 V AC	6P+E	3964561	3968561
Auxiliaries 10A/500 V AC	+ 2 contacts	Ref. + 262	Ref. + 262
Auxiliaries 10A/500 V AC	+ 4 contacts	Ref. + 264	Ref. + 264
Auxiliaries 10A/500 V AC	+ 6 contacts	Ref. + 976	Ref. + 976

OPTIONS	Reference
LOCKING PIN FOR 2 PADLOCKS Ø 4 TO 8 mm (PADLOCKS NOT SUPPLIED)	
	Socket-outlet ref. +843
SAFETY HASP FOR UP TO 6 PADLOCKS	
	399A541
LARGER RELEASE BUTTON	
	Ref. socket +453
INLET CAP IP66/IP67	
	316A426
IP40 SELF RETURNING LID (MANUAL CLOSING)	
	Ref. socket poly + R
IP55 METAL LOCKABLE SELF-CLOSING LID FOR INLET	
	396A226
ELECTROMAGNETIC COMPATIBILITY (EMC) (SEE DETAIL PAGE 300)	
	Ref. socket and metal connector +EMC

HANDLE	Input/ Cable outer Ø	Reference	Self-ejection
POLY HANDLE WITH GLAND			
	13-35 mm	514P0D35	/
POLY HANDLE + POLY CABLE GLAND			
	14-25 mm	514P032P	Ref. +443
	18-32 mm	514P040P	Ref. +443
	24-38 mm	514P050P	Ref. +443
POLY HANDLE (WITHOUT CABLE GLAND)			
	M32	514P0M32	Ref. +443
	M40	514P0M40	Ref. +443
	M50	514P0M50	/
METAL HANDLE + METAL CABLE GLAND (+ EARTHING WIRE)			EMC Option
	8-16 mm	594P025M	Ref. +EMC (9-16 mm)
	16-24 mm	594P032M	Ref. +EMC (11-21 mm)
	22-32 mm	594P040M	Ref. +EMC (19-28 mm)
	34-44 mm	594P050M	Ref. +EMC (27-35 mm)
METAL HANDLE METRIC THREAD ENTRY (WITHOUT CABLE GLAND)			
	M25	594P0M25	Ref. +EMC
	M32	594P0M32	Ref. +EMC
	M40	594P0M40	Ref. +EMC
	M50	594P0M50	Ref. +EMC

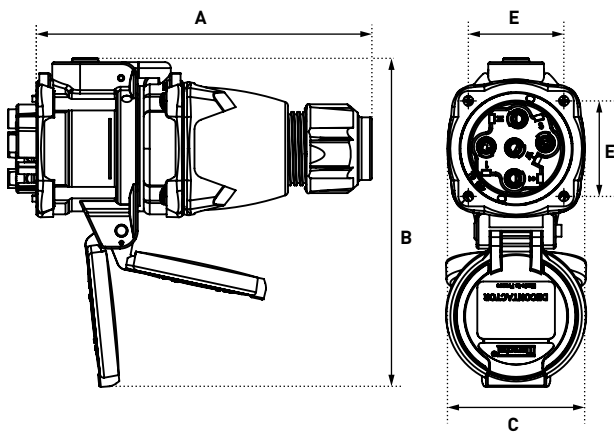
BOXES	∠x°	Input	Ref.	EMC Option
POLY BOX				
	30°	M32	514B3M32	/
	30°	M40	514B3M40	/
METAL BOX (+ EARTHING WIRE)				
	20°	M25	594B2M25	Ref. +EMC
	20°	M32	594B2M32	Ref. +EMC
	20°	M40	594B2M40	Ref. +EMC
POLY BOX + POLY SLEEVE				
	70°	Without hole	514C7000	/
	70°	Ø 32 mm drill hole	514C7M32	/
	70°	Ø 40 mm drill hole	514C7M40	/
Earth bar ref. : 51AA089				
METAL BOX (+ EARTHING WIRE) + POLY SLEEVE				
	30°	M25	514C3M25	/
	30°	M32	514C3M32	/
	30°	M40	514C3M40	/
	30°	M50	514C3M50	/
METAL BOX (+ EARTHING WIRE) + METAL SLEEVE				
	30°	M25	594C3M25	Ref. +EMC
	30°	M32	594C3M32	Ref. +EMC
	30°	M40	594C3M40	Ref. +EMC
	30°	M50	594C3M50	Ref. +EMC
	0° (Straight)	M25	594C0M25	Ref. +EMC
	0° (Straight)	M32	594C0M32	Ref. +EMC
	0° (Straight)	M40	594C0M40	Ref. +EMC
	0° (Straight)	M50	594C0M50	Ref. +EMC
	70°	M25	594C7M25	Ref. +EMC
	70°	M32	594C7M32	Ref. +EMC
	70°	M40	594C7M40	Ref. +EMC
	70°	M50	594C7M50	Ref. +EMC

Cable glands are not delivered with the boxes.

SLEEVE	∠x°	Reference	EMC Option
POLY SLEEVE			
	30°	514M3	/
	70°	514M7	/
METAL SLEEVE			
	0° (Straight)	594M0	Ref. +EMC
	30°	594M3	Ref. +EMC
	70°	594M7	Ref. +EMC

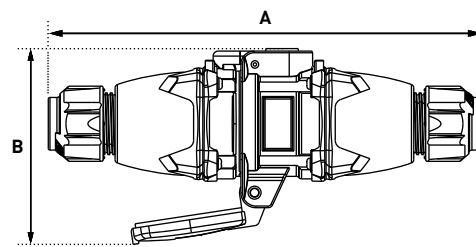
DRAWINGS AND DIMENSIONS

PLUG ON SOCKET-OUTLET



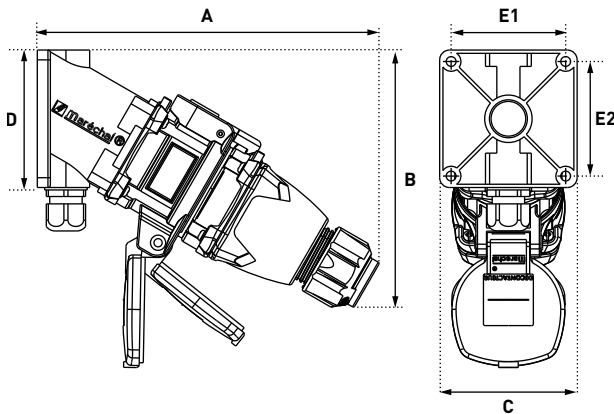
A	B	C	E
203	215	95	66

COUPLER



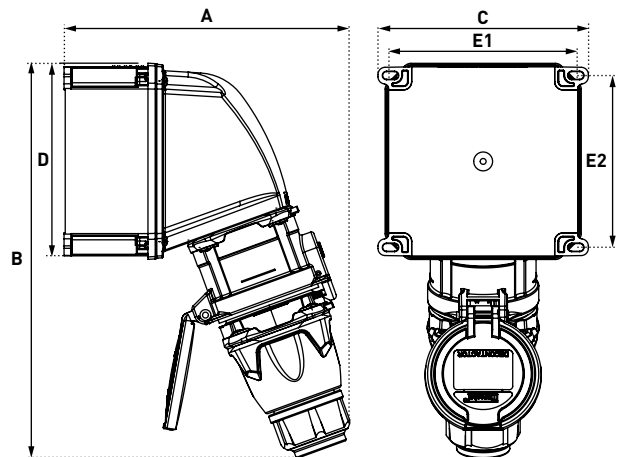
A	B
309	167

PLUG ON 30° WALL MOUNTED SOCKET OUTLET



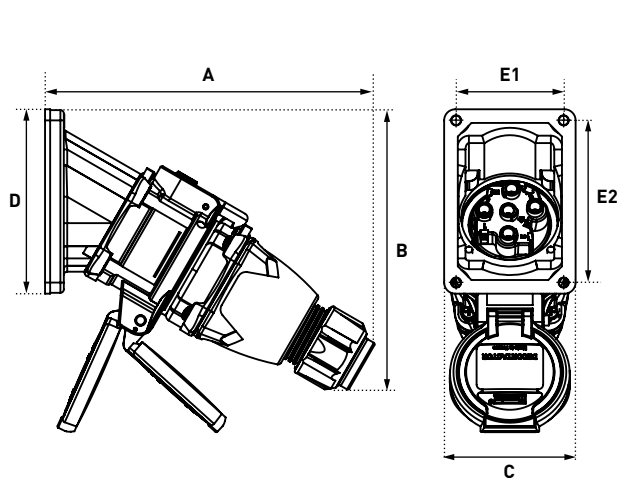
A	B	C	D	E1	E2
283	268	105	128	89	112

PLUG ON 70° WALL-MOUNTED SOCKET-OUTLET



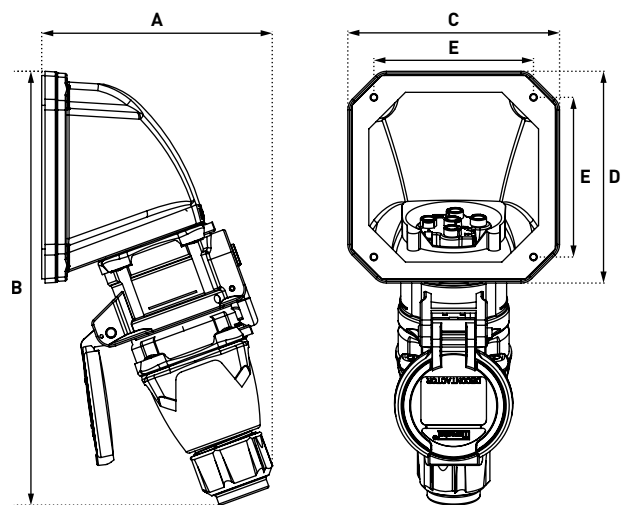
A	B	C	D	E1	E2
242	333	178	166	157	146

PLUG ON 30° INCLINED SOCKET-OUTLET



A	B	C	D	E1	E2
233	258	102	136	87	122

PLUG ON 70° INCLINED SOCKET-OUTLET



A	B	C	D	E
174	336	166	166	135



9 CONTACTS

30 A

415 V
U_{MAXI}

MULTICONTACTS CONNECTORS DN9C



IP54
IP55



1-6 mm² (1)
1,5-10 mm² (2)



METAL



IK09



-40 °C
+60 °C

(1) Flexible wiring (min.-max.).
(2) Stranded wiring (min.-max.).

OTHER FEATURES

IP protection plug connected	IP54
IP protection lid closed	IP55
∑ of currents (contacts)	≤ 210 A
Terminals wiring	screw-type

SOCKET-OUTLET
female
DN9c



INLET male
DN9c







415 V AC






8P+E


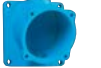



1914081

1918081


► The contacts can be assigned either power or signal.

OPTIONS	Reference
LOCKING PIN FOR 3 PADLOCKS Ø 4 TO 8 mm (PADLOCKS NOT SUPPLIED)	
	Ref. + 844
LARGER RELEASE BUTTON	
	Ref. socket + 453
INLET CAP	
	191A126
180° OPENING LID	
	Ref. socket + 10
IP40 SELF RETURNING LID (MANUAL CLOSING)	
	Socket-outlet ref.+R
180° OPENING + SELF-RETURNING LID	
	Ref. socket + 18
IP66/IP67 SOCKET-OUTLET AND INLET	
	Ref. + 600
ELECTROMAGNETIC COMPATIBILITY (EMC) (SEE DETAIL PAGE 300)	
	Ref. socket and metal connector +EMC

HANDLE	Input/ Cable outer Ø	Ref.	Option EMC
POLY HANDLE WITH GLAND			
	10-30 mm	513P0D30	/
POLY HANDLE + POLY CABLE GLAND			
	9-18 mm	513P025P	/
	14-25 mm	513P032P	/
	18-32 mm	513P040P	/
METAL HANDLE WITH METAL GLAND (+ EARTHING WIRE)			
	7-13 mm	593P020M	Ref. +EMC (7-12 mm)
	8-16 mm	593P025M	Ref. +EMC (9-16 mm)
	16-24 mm	593P032M	Ref. +EMC (11-21 mm)
	22-32 mm	593P040M	Ref. +EMC (19-28 mm)
POLY HANDLE (WITHOUT CABLE GLAND)			
	M20	513P0M20	/
	M25	513P0M25	/
	M32	513P0M32	/
	M40	513P0M40	/
METAL HANDLE METRIC THREAD ENTRY (WITHOUT CABLE GLAND)			
	M20	593P0M20	Ref. +EMC
	M25	593P0M25	Ref. +EMC
	M32	593P0M32	Ref. +EMC
	M40	593P0M40	Ref. +EMC

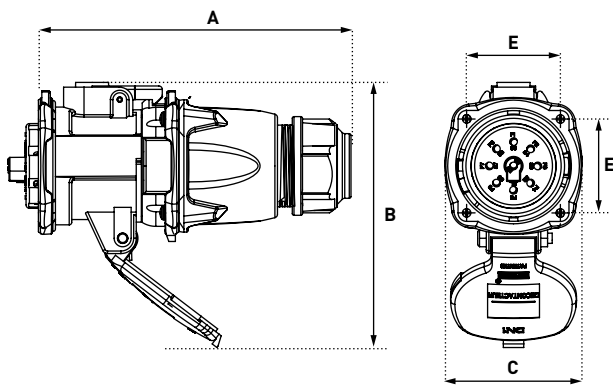
BOÎTIERS	$\angle x^\circ$	Input	Ref.	Option EMC
POLY BOX				
	30°	M25	513B3M25	/
METAL BOX (+ EARTHING WIRE)				
	20°	M20	593B2M20	Ref. +EMC
	20°	M25	593B2M25	Ref. +EMC
	20°	M32	593B2M32	Ref. +EMC
POLY BOX + POLY SLEEVE				
	70°	Without hole	513C7000	/
	70°	Ø 25 mm drill hole	513C7M25	/
	70°	Ø 32 mm drill hole	513C7M32	/
	70°	Ø 40 mm drill hole	513C7M40	/
Earth bar ref. : 51AA089				
METAL BOX (+ EARTHING WIRE) + POLY SLEEVE				
	30°	M20	513C3M20	/
	30°	M25	513C3M25	/
	30°	M32	513C3M32	/
	30°	M40	513C3M40	/
METAL BOX (+ EARTHING WIRE) + METAL SLEEVE				
	30°	M20	593C3M20	Ref. +EMC
	30°	M25	593C3M25	Ref. +EMC
	30°	M32	593C3M32	Ref. +EMC
	30°	M40	593C3M40	Ref. +EMC
	0° (Straight)	M20	593C0M20	Ref. +EMC
	0° (Straight)	M25	593C0M25	Ref. +EMC
	0° (Straight)	M32	593C0M32	Ref. +EMC
	0° (Straight)	M40	593C0M40	Ref. +EMC
	70°	M20	593C7M20	Ref. +EMC
	70°	M25	593C7M25	Ref. +EMC
	70°	M32	593C7M32	Ref. +EMC
	70°	M40	593C7M40	Ref. +EMC

Cable glands are not delivered with the boxes.

SLEEVE	$\angle x^\circ$	Reference	Option EMC
POLY SLEEVE			
	30°	513M3	/
	70°	513M7	/
METAL SLEEVE			
	0° (Straight)	593M0	Ref. +EMC
	30°	593M3	Ref. +EMC
	70°	593M7	Ref. +EMC

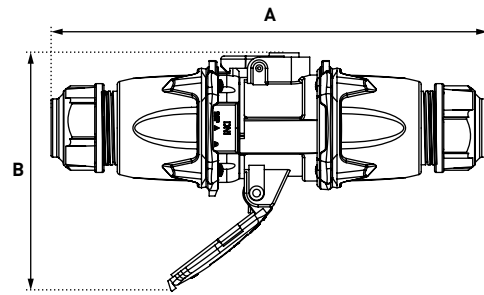
DRAWINGS AND DIMENSIONS

PLUG ON SOCKET-OUTLET



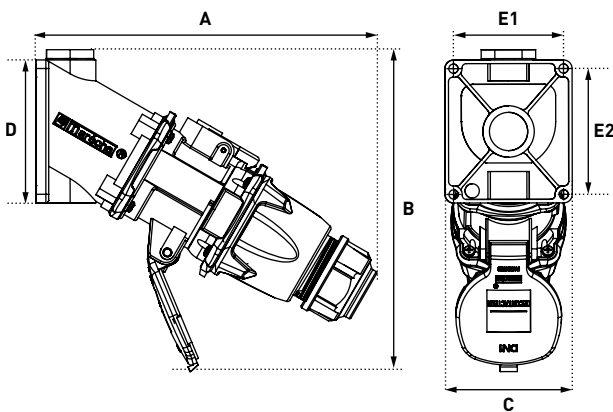
A	B	C	E
184	156	80	55

COUPLER



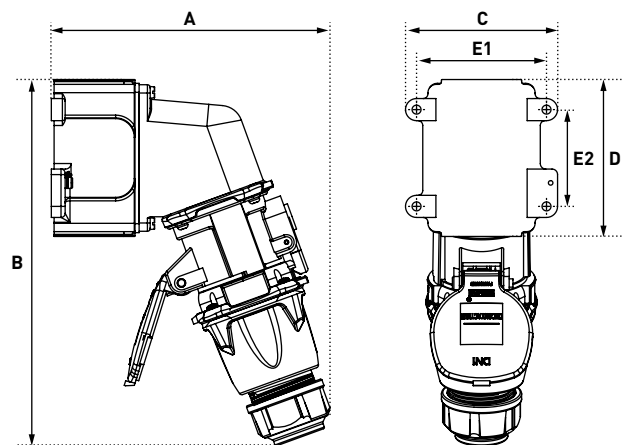
A	B
285	156

PLUG ON 30° WALL MOUNTED SOCKET OUTLET



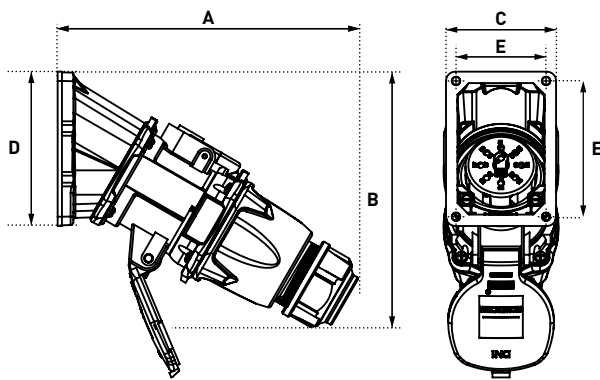
A	B	C	D	E1	E2
239	218	89	100	77	88

PLUG ON 70° WALL-MOUNTED SOCKET-OUTLET

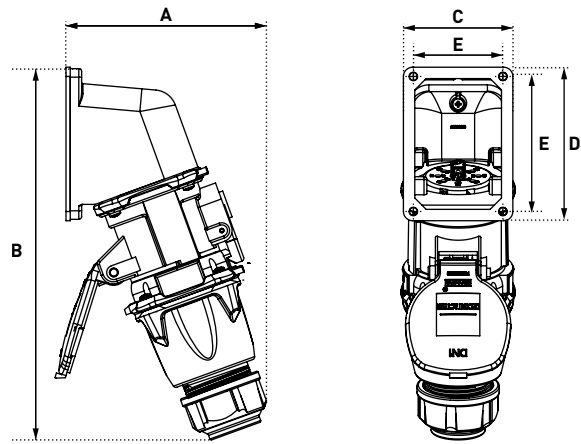


A	B	C	D	E1	E2
200	265	110	114	94	70

PLUG ON 30° INCLINED SOCKET-OUTLET



PLUG ON 70° INCLINED SOCKET-OUTLET



A	B	C	D	E1	E2
210	176	77	108	63	95

A	B	C	D	E1	E2
141	262	77	108	63	95



12 CONTACTS

16 A

480 V
U_{MAXI}

MULTICONTACTS CONNECTORS PN12C



IP66
IP67



1-2,5 mm² (1)



GRP
METAL



IK09



-40 °C
+60 °C

(1) Flexible wiring (min.-max.).



AISI 304 stainless steel versions are available on request.



For a black colour GRP housing replace the second reference character with 5 (GRP version only).

OTHER FEATURES

Impulse withstand voltage	5 kV
Contact resistance	<2 mΩ
Permitted current range	4-20 mA/16 A
∑ of currents (contacts)	≤ 110 A
Terminals wiring	To weld/crimp
Salt mist (GRP casing)	1000 hours connected
Butt contacts	Silver-nickel tips
Contact protection	Silvering
Load cycles	> 5000 cycles
Vibrations	Frequency 5-1000 Hz, 1g/(90 minutes on each critical frequency) according to IEC 6068-2-6

SOCKET-OUTLET

female
PN12C



INLET male
PN12C



GRP devices are not compatible with metal devices.



480 V AC

12 contacts

01A4001

01A8001













480 V AC






12 contacts

09A4001

09A8001





► Each product is supplied with 1 bag of 13 contacts, supplied with insulation sleeves and ferrules (see p.138 or the accessories page for more details).

OPTIONS	Reference
LOCKING OPTION FOR 1 PADLOCKS Ø 4mm (PADLOCK NOT SUPPLIED)	
	Ref. + 843
SCREW LOCKING IMPRINT BTR 2,5	
	Ref. + 22
INLET CAP	
	01NA426
REVERSED INTERIOR AND CONTACTS	
 The connector is supplied with a rubber inlet cap.	Ref. conn. + 001 Ref. socket + 001
180° OPENING LID	
	Ref. socket + 10
IP40 SELF RETURNING LID (MANUAL CLOSING)	
	Socket-outlet ref.+R
180° OPENING + SELF-RETURNING LID	
	Ref. socket + 18
ELECTROMAGNETIC COMPATIBILITY (EMC) (SEE DETAIL PAGE 300)	
	Ref. socket and metal connector +EMC
BAG OF 13 FEMALES CONTACTS	
	01AA213
BAG OF 13 MALES CONTACTS	
	01AA113
PRODUCTS AVAILABLE IN BLACK ●	
The black dot means these products are also available in black color. Replace the second character of the product reference with 5	

SLEEVE	Reference	Option EMC
POLY SLEEVE ●		
 30°	511M3	/
 70°	511M7	/
METAL SLEEVE		
 0° (Straight)	591M0	Ref. +EMC
 30°	591M3	/
 45°	591M4	Ref. +EMC

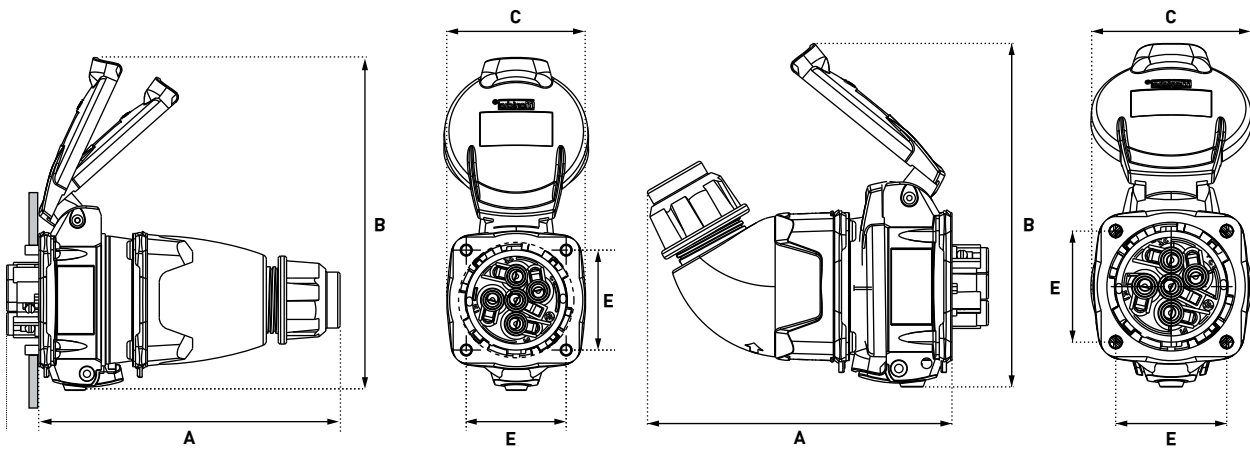
BOXES	Input	Ref.	Option EMC
POLY BOX ●			
 30°	M20	511B3M20	/
 30°	M25	511B3M25	/
POLY BOX + POLY SLEEVE			
 70°	Without hole	511C7000	/
 70°	Hole Ø 20	511C7M20	/
 70°	Hole Ø 25	511C7M25	/
Earth bar ref. : 51AA089			
 70°	Hole Ø 32	511C7M32	/
METAL BOX (+ EARTHING WIRE) + POLY SLEEVE			
 30°	M20	511C3M20	/
METAL BOX (+ EARTHING WIRE) + METAL SLEEVE			
 45°	M20	591C4M20	Ref. +EMC
 45°	M25	591C4M25	Ref. +EMC
 45°	M32	591C4M32	Ref. +EMC

Cable glands are not delivered with the boxes.

HANDLE	Input/ Cable outer Ø	Ref.	Option EMC
POLY HANDLE WITH GLAND ●			
 9-18 mm	9-18 mm	511P0D18	/
 5-21 mm	5-21 mm	511P0D21	/
 60° 9-18 mm	9-18 mm	511P6D18	/
POLY HANDLE + POLY CABLE GLAND ●			
 5-12 mm	5-12 mm	511P020P	/
 9-18 mm	9-18 mm	511P025P	/
 14-25 mm	14-25 mm	511P032P	/
METAL HANDLE WITH METAL GLAND (+ EARTHING WIRE)			
 7-13 mm	7-13 mm	591P020M	Ref. +EMC
 8-16 mm	8-16 mm	591P025M	Ref. +EMC
 16-24 mm	16-24 mm	591P032M	Ref. +EMC
POLY HANDLE (WITHOUT CABLE GLAND) ●			
 M20	M20	511P0M20	/
 M25	M25	511P0M25	/
 M32	M32	511P0M32	/
METAL HANDLE METRIC THREAD ENTRY (WITHOUT CABLE GLAND)			
 M20	M20	591P0M20	Ref. +EMC
 M25	M25	591P0M25	Ref. +EMC
 M32	M32	591P0M32	Ref. +EMC

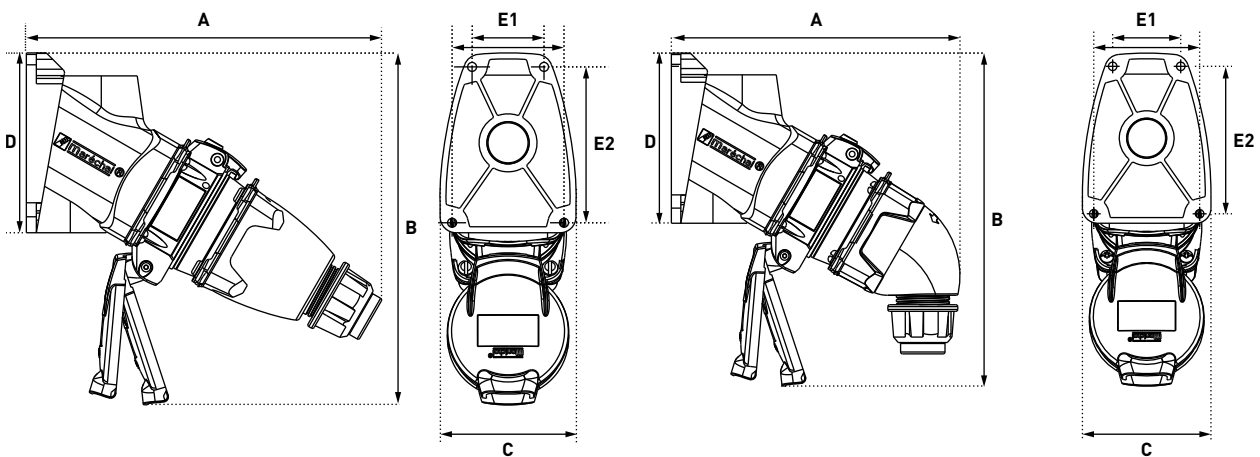
DRAWINGS AND DIMENSIONS

PLUG ON SOCKET-OUTLET



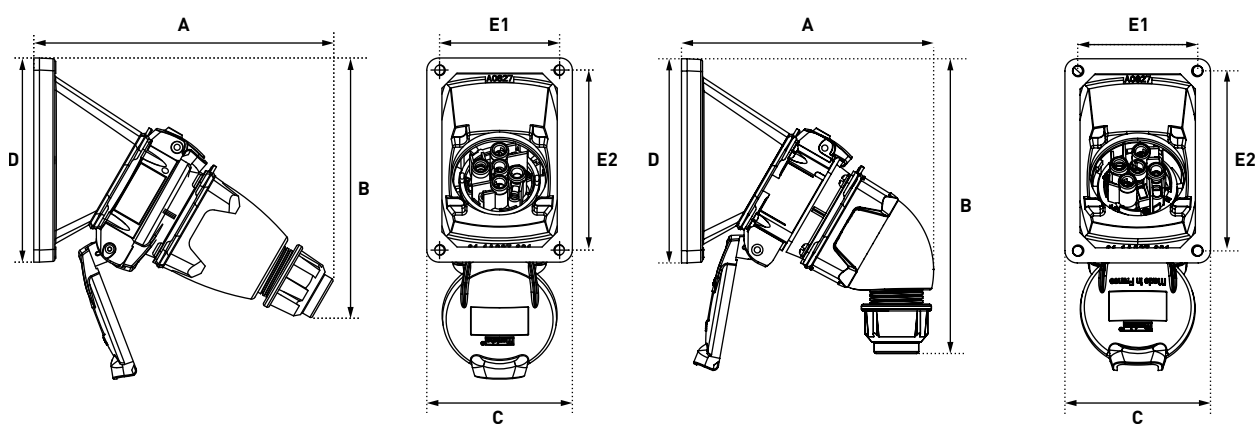
	A	B	C	E
Straight handle	127	140	58	42
Angled handle	117	138	61	42

PLUG ON 30° WALL MOUNTED SOCKET OUTLET



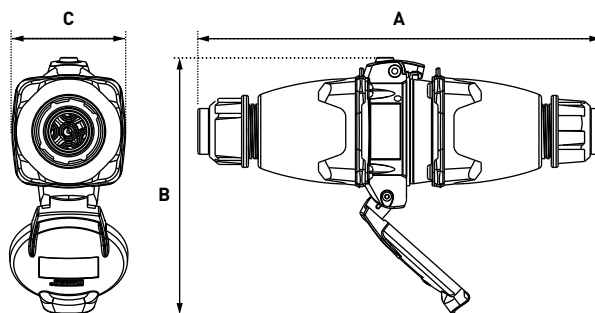
	A	B	B	D	E1	E2
Straight handle	178	176	68	90	36/56	78
Angled handle	153	176	68	90	36/56	78

PLUG ON 30° INCLINED SOCKET-OUTLET



	A	B	C	D	E1	E2
Straight handle	160	170	77	108	63	95
Angled handle	133	165	77	108	63	95

COUPLER



	A	B	C
Straight handle	208	132	58

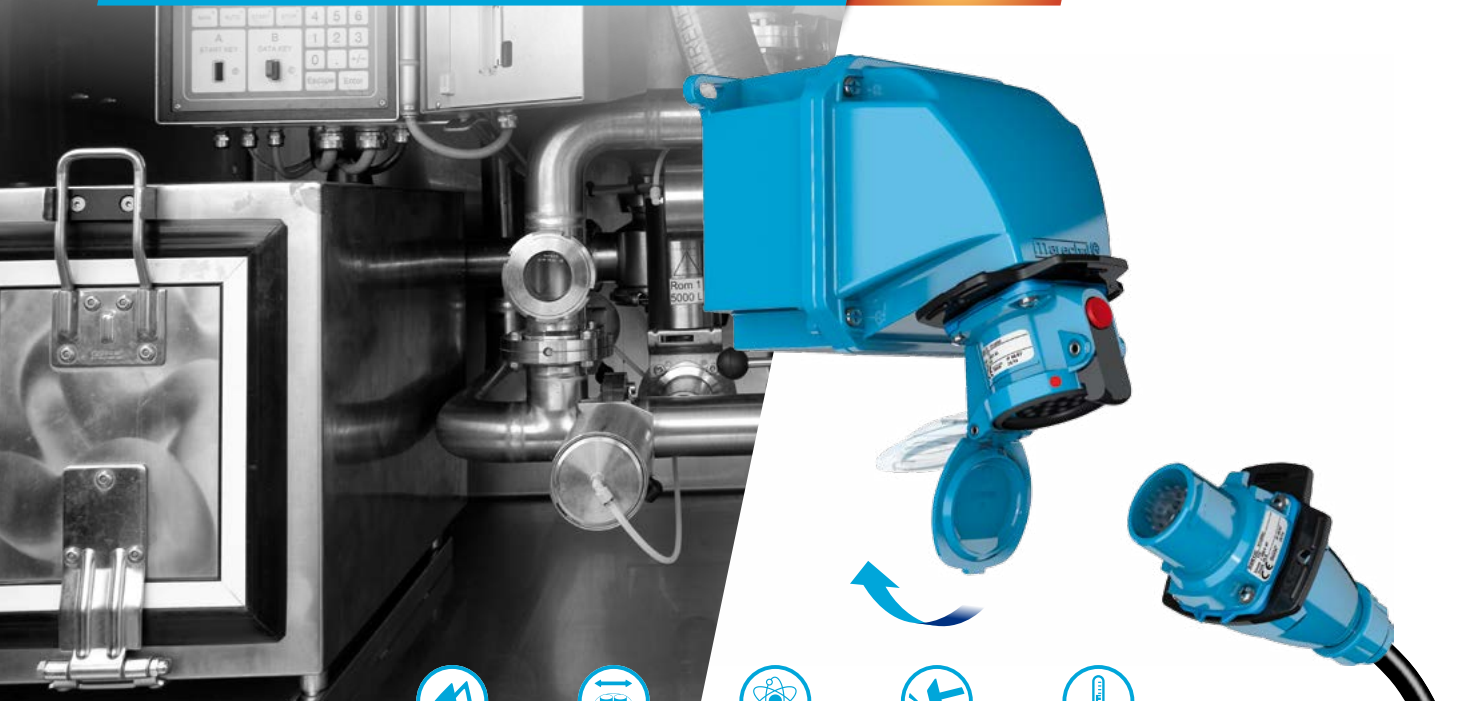
12 CONTACTS

16 A

480 V
U_{MAXI}

MULTICONTACTS CONNECTORS DSN12C

NEW



IP66
IP67
IP69



1-2,5 mm² (1)



GRP



IK09



-40 °C
+60 °C

(1) Flexible wiring (min.-max.).

OTHER FEATURES

Impulse withstand voltage	5 kV
Contact resistance	<2 mΩ
Permitted current range	4-20 mA/16 A
∑ des courants (contacts)	≤ 110 A
Terminals wiring	To weld/crimp
Salt mist	1000 hours connected
Butt contacts	Silver-nickel tips
Contact protection	Silvering
Load cycles	> 5000 cycles
Vibrations	Frequency 5-1000 Hz, 1g/(90 minutes on each critical frequency) according to IEC 6068-2-6

SOCKET-OUTLET

female
DSN12C



INLET male
DSN12C



For a black colour housing replace the second reference character with 5.









480 V AC





12 contacts

61A4001

61A8001






► Each product is supplied with 1 bag of 13 contacts, supplied with insulation sleeves and ferrules (voir p. 138 or the accessories page for more details).

OPTIONS	Reference
LOCKING PIN FOR 2 PADLOCKS Ø 4 TO 8 mm (PADLOCK NOT SUPPLIED)	
	Ref. + 843
LARGER RELEASE BUTTON	
	Ref. socket + 453
IN-LINE CONNECTIONS (A PAIR OF FINGER DRAW PLATES TO AID CLOSING)	
	611A346
INLET CAP IP66/IP67	
	611A426
IP40 SELF RETURNING LID (MANUAL CLOSING)	
	Socket-outlet ref.+R
SELF-EJECTION	
	See page 186
BAG OF 13 FEMALES CONTACTS	
	01AA213
BAG OF 13 MALES CONTACTS	
	01AA113
PRODUCTS AVAILABLE IN BLACK ●	
The black dot means these products are also available in black color. Replace the second character of the product reference with 5	

SLEEVE	$\angle x^\circ$	Reference
POLY SLEEVE ●		
	30°	511M3
	70°	511M7
METAL SLEEVE		
	0° (Straight)	591M0
	30°	591M3

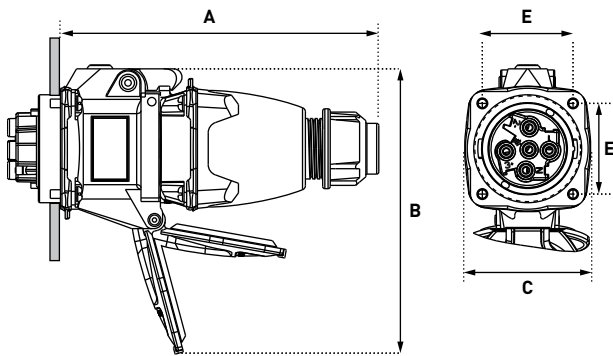
BOXES	$\angle x^\circ$	Input	Reference
POLY BOX ●			
	30°	M20	511B3M20
	30°	M25	511B3M25
POLY BOX + POLY SLEEVE (BLACK VERSION SEE ACCESSORIES DXN1 PAGE 231)			
	70°	Without hole	511C7000
	70°	Hole Ø 20	511C7M20
Earth bar ref. : 51AA089	70°	Hole Ø 25	511C7M25
	70°	Hole Ø 32	511C7M32
METAL BOX (+ EARTHING WIRE) + POLY SLEEVE			
	30°	M20	511C3M20

Cable glands are not delivered with the boxes.

HANDLE	Input/ Cable outer Ø	Reference	Self-ejection
POLY HANDLE WITH GLAND ●			
	9-18 mm	511P0D18	/
	5-21 mm	511P0D21	/
	9-18 mm	511P6D18	/
POLY HANDLE + POLY CABLE GLAND ●			
	5-12 mm	511P020P	Ref. +443 (10-14 mm)
	9-18 mm	511P025P	Ref. +443 (12-18 mm)
	14-25 mm	511P032P	Ref. +443
POLY HANDLE (WITHOUT CABLE GLAND) ●			
	M20	511P0M20	/
	M25	511P0M25	/
	M32	511P0M32	/

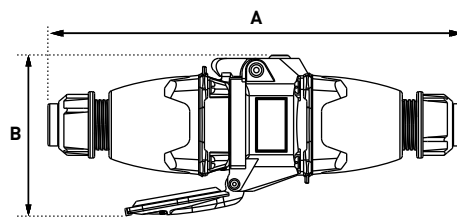
DRAWINGS AND DIMENSIONS

PLUG ON SOCKET-OUTLET



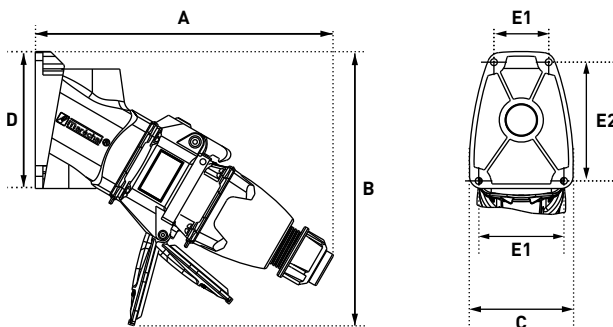
A	B	C	E
147	134	58	42

COUPLER



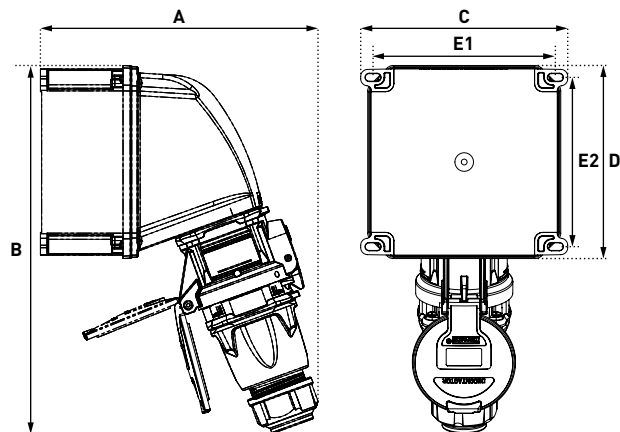
A	B
231	89

PLUG ON 30° WALL MOUNTED SOCKET OUTLET



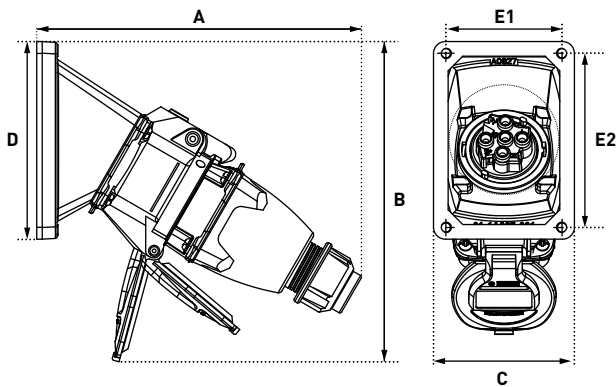
A	B	C	D	E1	E2
196	180	68	90	36/56	78

PLUG ON 70° WALL-MOUNTED SOCKET-OUTLET

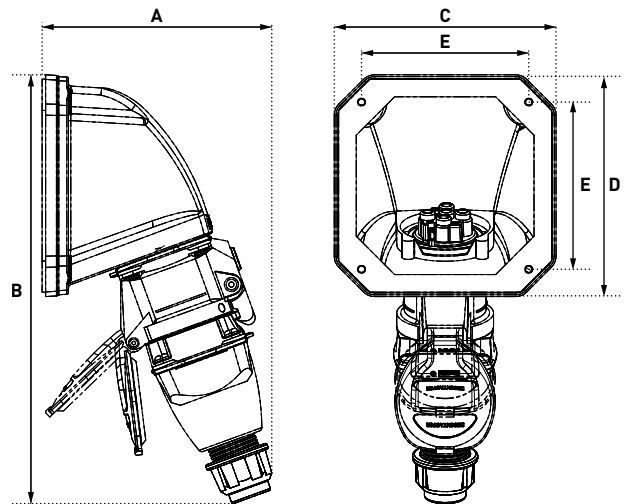


A	B	C	D	E1	E2
200	244	138	126	117	105.5

PLUG ON 30° INCLINED SOCKET-OUTLET



PLUG ON 70° INCLINED SOCKET-OUTLET



A	B	C	D	E1	E2
177	175	77	108	63.5	95

A	B	C	D	E
131	244	126	126	95



20 CONTACTS

25 A

415 V
U_{MAXI}

MULTICONTACTS CONNECTORS DN20C



IP54
IP55



1-6 mm² (1)
1,5-10 mm² (2)



METAL



IK09



-40 °C
+60 °C

(1) Flexible wiring (min.-max.).
(2) Stranded wiring (min.-max.).

OTHER FEATURES

IP protection plug connected	IP54
IP protection lid closed	IP55
∑ of currents (contacts)	≤ 350 A
Terminals wiring	screw-type

SOCKET-OUTLET
female
DN20c (25 A)



INLET male
DN20c (25 A)




415 V AC

19P+E

1964191

1968191

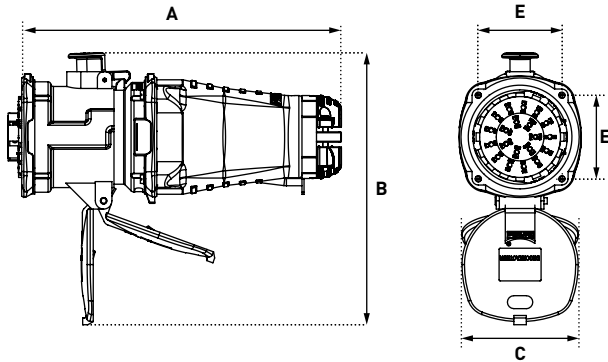
OPTIONS	Reference
LOCKING PIN FOR 3 PADLOCKS Ø 8 mm (PADLOCKS NOT SUPPLIED)	
	Ref. + 844
LARGER RELEASE BUTTON	
	Ref. socket + 453
INLET CAP	
	196A126
180° OPENING LID	
	Ref. socket + 10
IP40 SELF RETURNING LID (MANUAL CLOSING)	
	Socket-outlet ref.+R
180° OPENING + SELF-RETURNING LID	
	Ref. socket + 18
CLOSING MECHANISM	
	Draw lever only 196A376 Draw plate only 196A396
IP66/IP67 SOCKET-OUTLET AND INLET	
	Ref. + 600

HANDLE	Input/ Cable outer Ø	Reference
ELASTOMER HANDLE WITH GLAND		
	18-25 mm	555P0D25
	25-35 mm	555P0D35
	35-45 mm	555P0D45
	45-49 mm	555P0D49
POLY HANDLE + POLY CABLE GLAND		
	14-25 mm	515P032P
	18-32 mm	515P040P
	24-38 mm	515P050P
	35-48 mm	515P063P
	METAL HANDLE WITH METAL GLAND (+ EARTHING WIRE)	
	16-24 mm	595P032M
	22-32 mm	595P040M
	34-44 mm	595P050M
	35-48 mm	595P063M
	POLY HANDLE (WITHOUT CABLE GLAND)	
	M50	515P0M50
	M63	515P0M63
METAL HANDLE METRIC THREAD ENTRY (WITHOUT CABLE GLAND)		
	M32	595P0M32
	M40	595P0M40
	M50	595P0M50
	M63	595P0M63

BOXES	△x°	Input	Reference
METAL BOX (+ EARTHING WIRE) + POLY SLEEVE			
	30°	M32	515C3M32
	30°	M40	515C3M40
	30°	M50	515C3M50
	30°	M63	515C3M63
METAL BOX (+ EARTHING WIRE) + METAL SLEEVE			
	30°	M32	595C3M32
	30°	M40	595C3M40
	30°	M50	595C3M50
	30°	M63	595C3M63
	0° (Straight)	M32	595C0M32
	0° (Straight)	M40	595C0M40
	0° (Straight)	M50	595C0M50
	0° (Straight)	M63	595C0M63
	70°	M32	595C7M32
	70°	M40	595C7M40
	70°	M50	595C7M50
	70°	M63	595C7M63
METAL BOX (+ EARTHING WIRE) + METAL SLEEVE + CORNET			
	0° (Straight)	M50	595E0M50
	30°	M50	595E3M50
	30°	M63	595E3M63
	70°	M50	595E7M50
	70°	M63	595E7M63
Cable glands are not delivered with the boxes.			
SLEEVE	△x°	Reference	
POLY SLEEVE			
	30°	515M3	
METAL SLEEVE			
	0° (Straight)	595M0	
	30°	595M3	
	70°	595M7	

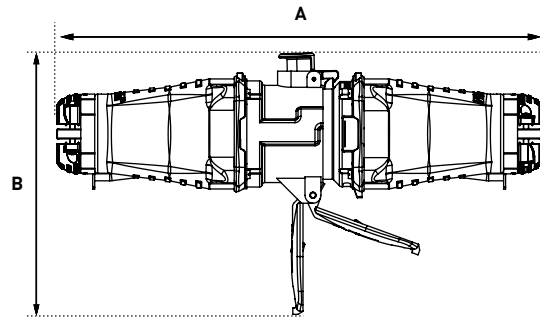
DRAWINGS AND DIMENSIONS

PLUG ON SOCKET-OUTLET



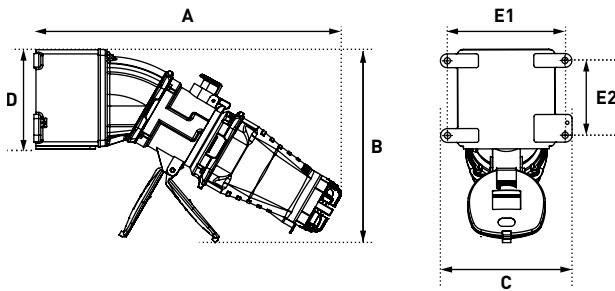
A	B	C	E
308	262	118	81

COUPLER



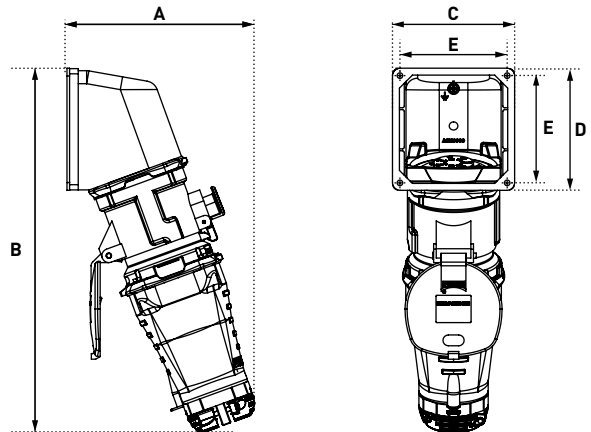
A	B
486	262

PLUG ON 30° WALL MOUNTED SOCKET OUTLET



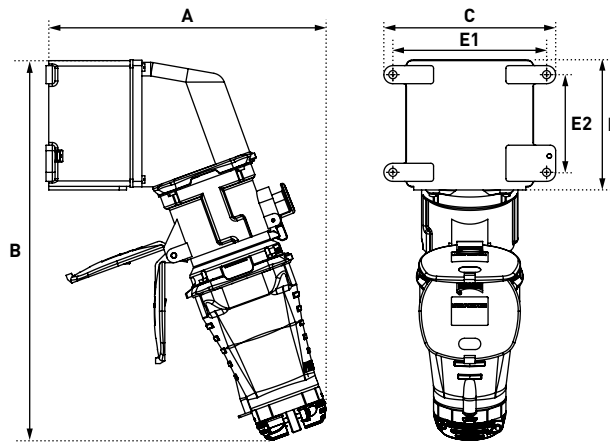
A	B	C	D	E1	E2
444	279	190	143	170	108

PLUG ON 70° INCLINED SOCKET OUTLET



A	B	C	D	E
217	421	141	141	124

PLUG ON 70° WALL MOUNTED SOCKET OUTLET



A	B	C	D	E1	E2
309	420	190	143	170	108

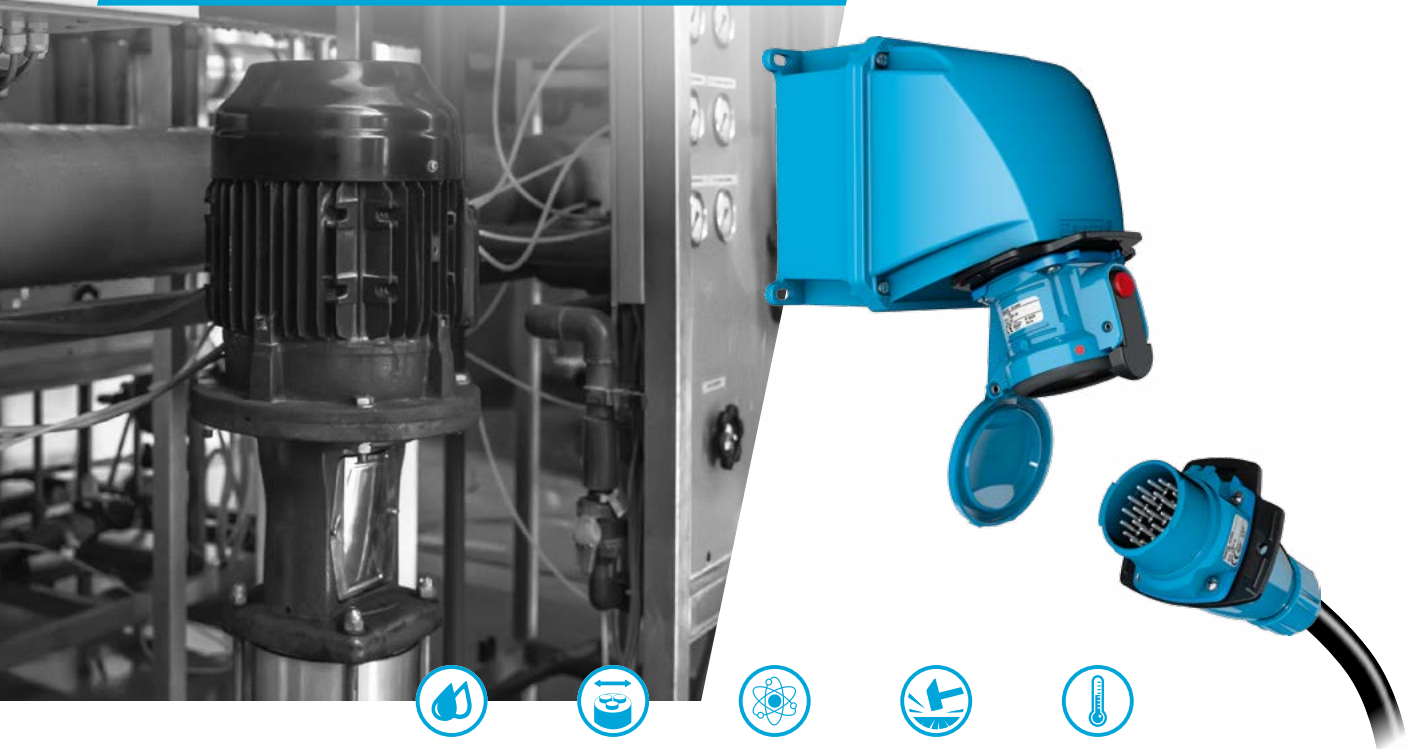


24 CONTACTS

16 A

480 V
U_{MAXI}

MULTICONTACTS CONNECTORS DSN24C



IP66
IP67



1-2,5 mm² ⁽¹⁾



GRP



IK09



-40 °C
+60 °C

(1) Flexible wiring (min.-max.).

OTHER FEATURES

Impulse withstand voltage	5 kV
Contact resistance	< 2 mΩ
Permitted current range	4-20 mA/16 A
∑ of currents (contacts)	≤ 230 A
Terminals wiring	To weld/crimp
Salt mist	200 hours connected
Butt contacts	Silver-nickel tips
Contact protection	Silvering
Load cycles	> 5000 cycles
Vibrations	Frequency 5-1000 Hz, 1g/(90 minutes on each critical frequency) according to IEC 6068-2-6

SOCKET-OUTLET

female
DSN24C



INLET male
DSN24C



For a black colour housing replace the second reference character with 5.

480 V AC

24 contacts





61B4002


61B8002

► Each product is supplied with 2 bags of 13 contacts, supplied with insulation sleeves and ferrules (voir p. 138 or the accessories page for more details).






OPTIONS	Reference
LOCKING PIN FOR 2 PADLOCKS Ø 4 TO 8 mm (PADLOCK NOT SUPPLIED)	
	Ref. + 843
LARGER RELEASE BUTTON	
	Ref. socket + 453
IN-LINE CONNECTIONS (A PAIR OF FINGER DRAW PLATES TO AID CLOSING)	
	613A346
INLET CAP IP66/IP67	
	613A426
180° OPENING LID	
	Ref. socket + 10
IP40 SELF RETURNING LID (MANUAL CLOSING)	
	Socket-outlet ref.+R
180° OPENING + SELF-RETURNING LID	
	Ref. socket + 18
BAG OF 13 FEMALES CONTACTS	
	01AA213
BAG OF 13 MALES CONTACTS	
	61CA113
PRODUCTS AVAILABLE IN BLACK ●	

The black dot means these products are also available in black color.
Replace the second character of the product reference with 5

SLEEVE	$\angle x^\circ$	Reference
POLY SLEEVE ●		
	30°	512M3
	70°	512M7
METAL SLEEVE		
	0° (Straight)	592M0
	30°	592M3

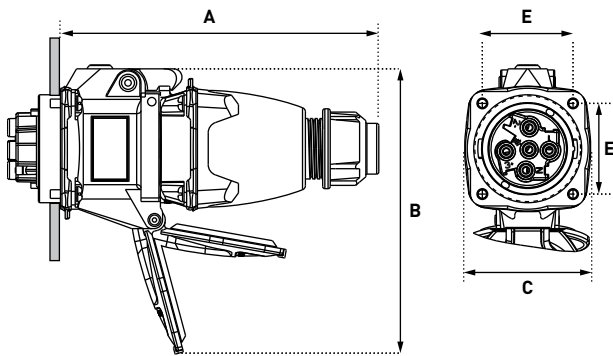
BOXES	$\angle x^\circ$	Input	Reference
POLY BOX ●			
	30°	M20	512B3M20
	30°	M25	512B3M25
METAL BOX (+ EARTHING WIRE)			
	20°	M20	592B2M20
	20°	M25	592B2M25
POLY BOX + POLY SLEEVE (BLACK VERSION SEE ACCESSORIES DXN3 PAGE 241)			
	70°	Without hole	512C7000
	70°	Ø 20 mm drill hole	512C7M20
	70°	Ø 25 mm drill hole	512C7M25
Earth bar ref. : 51AA089	70°	Ø 32 mm drill hole	512C7M32
	70°	Ø 40 mm drill hole	512C7M40
METAL BOX (+ EARTHING WIRE) + POLY SLEEVE			
	30°	M20	512C3M20
	30°	M25	512C3M25
	30°	M32	512C3M32
	30°	M40	512C3M40
METAL BOX (+ EARTHING WIRE) + METAL SLEEVE			
	30°	M20	592C3M20
	30°	M25	592C3M25
	30°	M32	592C3M32
	0° (Straight)	M20	592C0M20
	0° (Straight)	M25	592C0M25
	0° (Straight)	M32	592C0M32

Cable glands are not delivered with the boxes.

HANDLE	Input/ Cable outer Ø	Reference
POLY HANDLE WITH GLAND ●		
	5-21 mm	512P0D21
POLY HANDLE + POLY CABLE GLAND ●		
	5-12 mm	512P020P
	9-18 mm	512P025P
	14-25 mm	512P032P
	18-32 mm	512P040P
METAL HANDLE WITH METAL GLAND (+ EARTHING WIRE)		
	7-13 mm	592P020M
	8-16 mm	592P025M
	16-24 mm	592P032M
POLY HANDLE (WITHOUT CABLE GLAND) ●		
	M20	512P0M20
	M25	512P0M25
	M32	512P0M32
	M40	512P0M40
METAL HANDLE METRIC THREAD ENTRY (WITHOUT CABLE GLAND)		
	M20	592P0M20
	M25	592P0M25
	M32	592P0M32

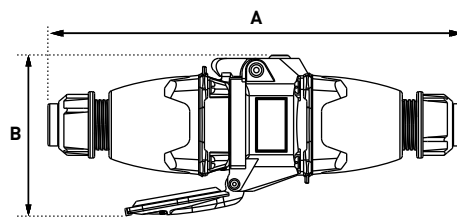
DRAWINGS AND DIMENSIONS

PLUG ON SOCKET-OUTLET



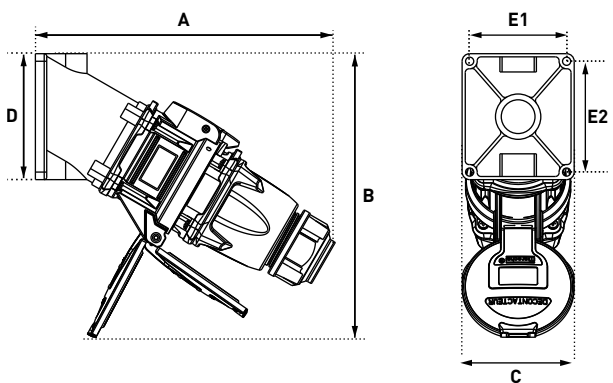
A	B	C	E
171	171	77	48

COUPLER



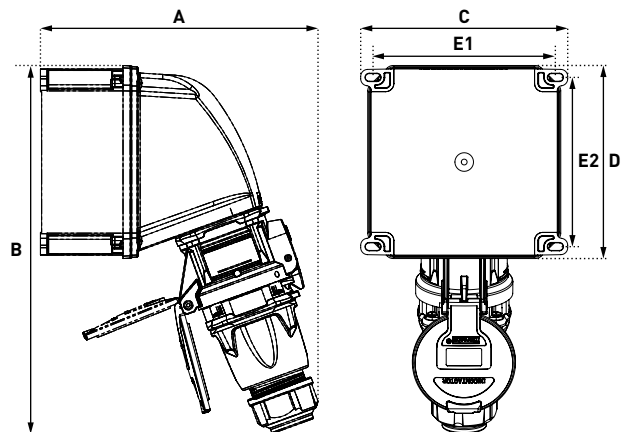
A	B
265	116

PLUG ON 30° WALL MOUNTED SOCKET OUTLET



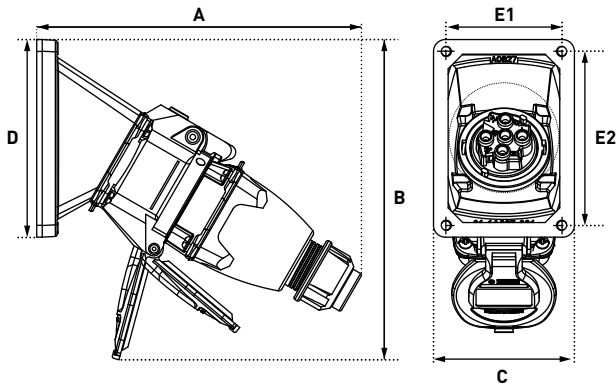
A	B	C	D	E1	E2
213	191	84	84	70	70

PLUG ON 70° WALL-MOUNTED SOCKET-OUTLET

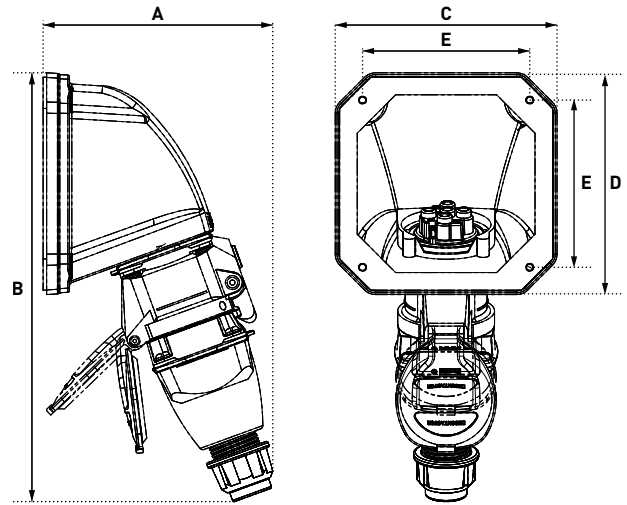


A	B	C	D	E1	E2
207	262	138	126	117	105.5

PLUG ON 30° INCLINED SOCKET-OUTLET



PLUG ON 70° INCLINED SOCKET-OUTLET



A	B	C	D	E1	E2
195	191	77	108	63	95

A	B	C	D	E
138	262	126	126	95

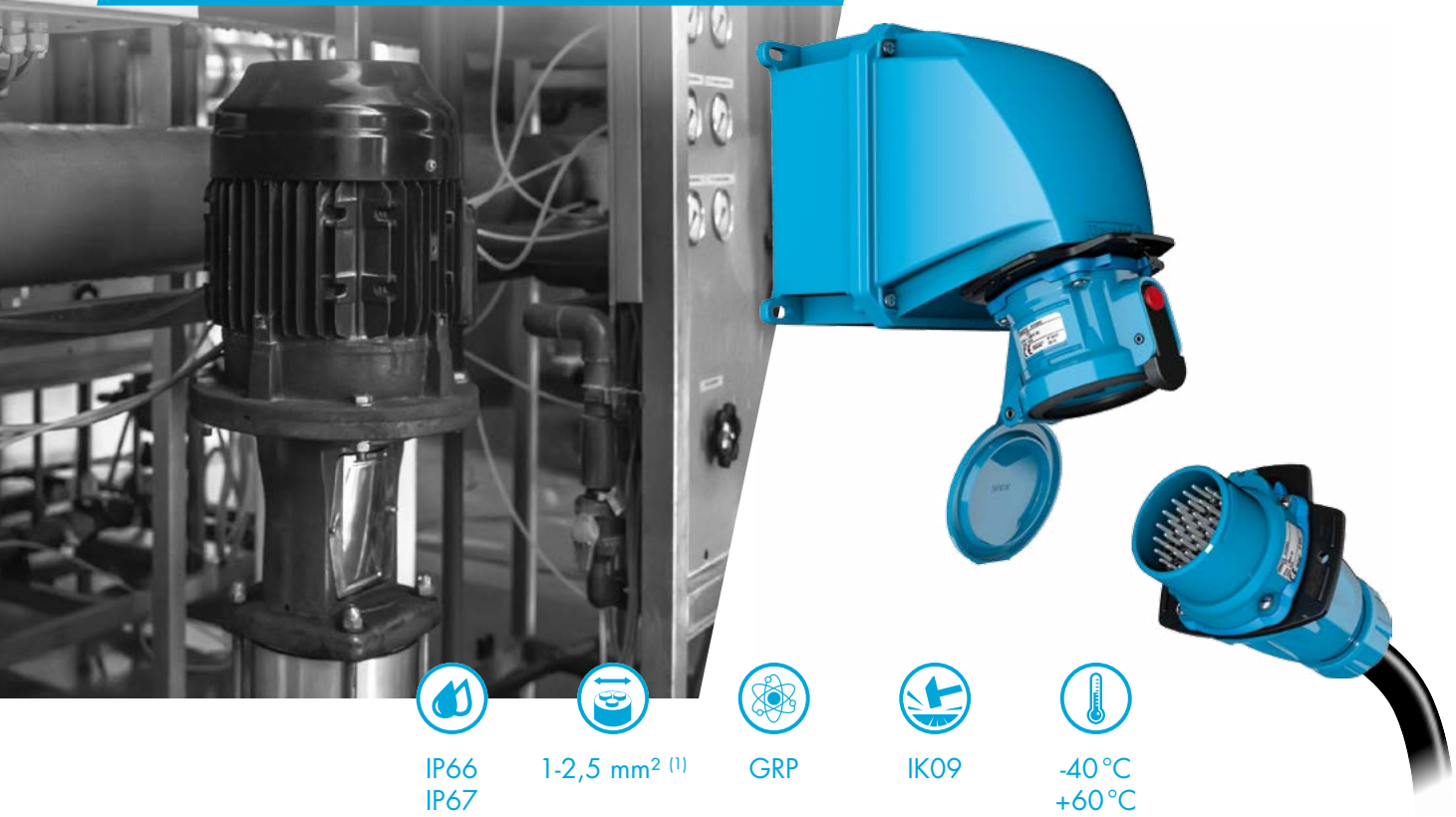


37 CONTACTS

16 A

480 V
U_{MAXI}

MULTICONTACTS CONNECTORS DSN37C



IP66
IP67



1-2,5 mm² ⁽¹⁾



GRP



IK09



-40 °C
+60 °C

(1) Flexible wiring (min.-max.).



For metal versions,
contact us.

OTHER FEATURES

Impulse withstand voltage	5 kV
Contact resistance	< 2 mΩ
Permitted current range	4-20 mA/16 A
∑ of currents (contacts)	≤ 360 A
Terminals wiring	To weld/crimp
Salt mist	200 hours connected
Butt contacts	Silver-nickel tips
Contact protection	Silvering
Load cycles	> 5000 cycles
Vibrations	Frequency 5-1000 Hz, 1g/(90 minutes on each critical frequency) according to IEC 6068-2-6

SOCKET-OUTLET

female
DSN37C



INLET male
DSN37C










For a black colour
housing replace the second
reference character with 5.

480 V AC	37 contacts	61C4003	61C8003
----------	-------------	---------	---------






► Each product is supplied with 3 bags of 13 contacts, supplied with insulation sleeves and ferrules (voir p. 138 or the accessories page for more details).

OPTIONS	Reference
LOCKING PIN FOR 2 PADLOCKS Ø 4 TO 8 mm (PADLOCK NOT SUPPLIED)	
	Ref. + 843
LARGER RELEASE BUTTON	
	Ref. socket + 453
IN-LINE CONNECTIONS (A PAIR OF FINGER DRAW PLATES)	
	616A346
INLET CAP IP66/IP67	
	616A426
180° OPENING LID	
	Ref. socket + 10
IP40 SELF RETURNING LID (MANUAL CLOSING)	
	Socket-outlet ref.+R
180° OPENING + SELF-RETURNING LID	
	Ref. socket + 18
REVERSED INTERIOR AND CONTACTS	
	Ref. conn. + 001 Ref. socket + 001
BAG OF 13 FEMALES CONTACTS	
	01AA213
BAG OF 13 MALES CONTACTS	
	61CA113
PRODUCTS AVAILABLE IN BLACK ●	
The black dot means these products are also available in black color. Replace the second character of the product reference with 5	

SLEEVE	$\angle x^\circ$	Reference
POLY SLEEVE ●		
	30°	513M3
	70°	513M7
METAL SLEEVE		
	0° (Straight)	593M0
	30°	593M3
	70°	593M7

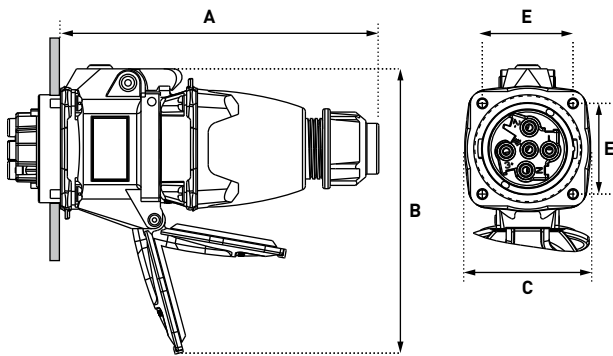
BOÎTIERS	$\angle x^\circ$	Input	Reference
POLY BOX ●			
	30°	M25	513B3M25
METAL BOX (+ EARTHING WIRE)			
	20°	M20	593B2M20
	20°	M25	593B2M25
	20°	M32	593B2M32
POLY BOX + POLY SLEEVE (BLACK VERSION SEE ACCESSORIES DXN6 PAGE 247)			
	70°	Without hole	513C7000
	70°	Ø 25 mm drill hole	513C7M25
	70°	Ø 32 mm drill hole	513C7M32
	70°	Ø 40 mm drill hole	513C7M40
Earth bar ref. : 51AA089			
METAL BOX (+ EARTHING WIRE) + POLY SLEEVE			
	30°	M20	513C3M20
	30°	M25	513C3M25
	30°	M32	513C3M32
	30°	M40	513C3M40
METAL BOX (+ EARTHING WIRE) + METAL SLEEVE			
	30°	M20	593C3M20
	30°	M25	593C3M25
	30°	M32	593C3M32
	30°	M40	593C3M40
	0° (Straight)	M20	593C0M20
	0° (Straight)	M25	593C0M25
	0° (Straight)	M32	593C0M32
	0° (Straight)	M40	593C0M40
	70°	M20	593C7M20
	70°	M25	593C7M25
	70°	M32	593C7M32
	70°	M40	593C7M40

Cable glands are not delivered with the boxes.

HANDLE	Input/ Cable outer Ø	Reference
POLY HANDLE WITH GLAND ●		
	10-30 mm	513P0D30
POLY HANDLE + POLY CABLE GLAND ●		
	9-18 mm	513P025P
	14-25 mm	513P032P
	18-32 mm	513P040P
METAL HANDLE WITH METAL GLAND (+ EARTHING WIRE)		
	7-13 mm	593P020M
	8-16 mm	593P025M
	16-24 mm	593P032M
	22-32 mm	593P040M
POLY HANDLE (WITHOUT CABLE GLAND) ●		
	M20	513P0M20
	M25	513P0M25
	M32	513P0M32
	M40	513P0M40
METAL HANDLE METRIC THREAD ENTRY (WITHOUT CABLE GLAND)		
	M20	593P0M20
	M25	593P0M25
	M32	593P0M32
	M40	593P0M40

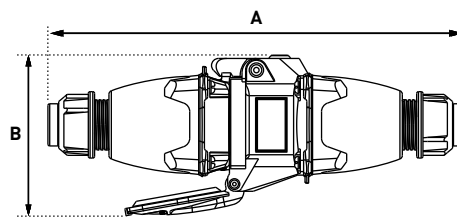
DRAWINGS AND DIMENSIONS

PLUG ON SOCKET-OUTLET



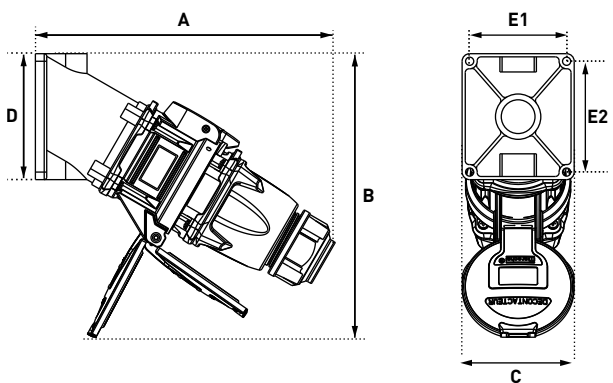
A	B	C	E
184	195	84	55

COUPLER



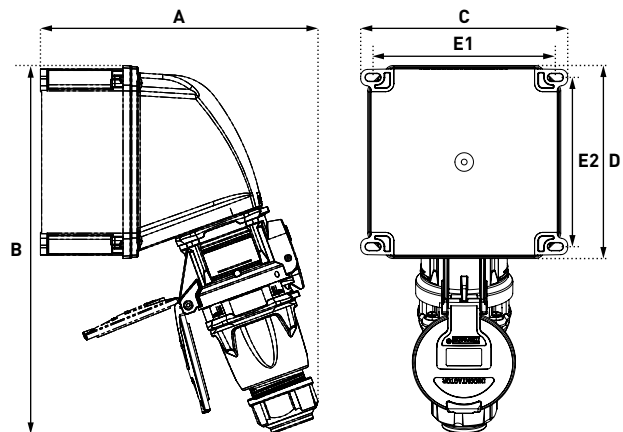
A	B
286	122

PLUG ON 30° WALL MOUNTED SOCKET OUTLET



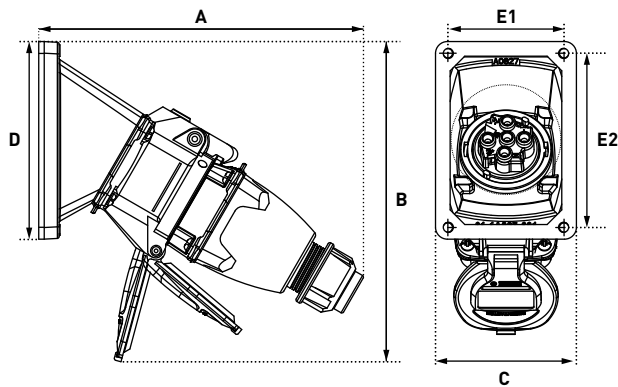
A	B	C	D	E1	E2
238	225	89	100	77	88

PLUG ON 70° WALL-MOUNTED SOCKET-OUTLET

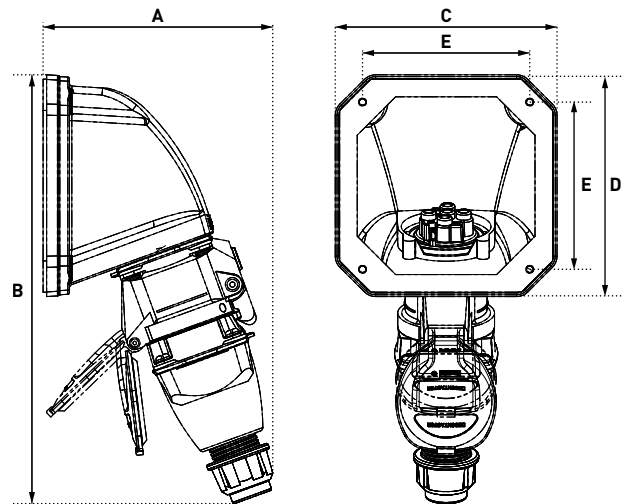


A	B	C	D	E1	E2
239	317	178	166	157	146

PLUG ON 30° INCLINED SOCKET-OUTLET



PLUG ON 70° INCLINED SOCKET-OUTLET



A	B	C	D	E1	E2
212	219	77	108	63	95

A	B	C	D	E
170	317	166	166	135

