

DXN



DECONTACTOR™ FOR HAZARDOUS AREAS



20 A/32 A/63 A

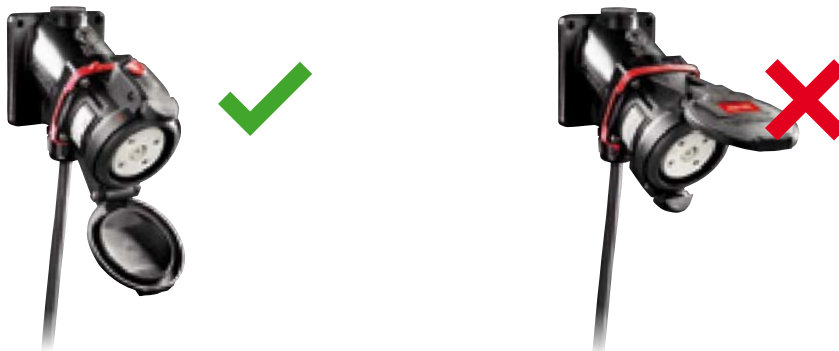
- ▶ II2 G D Ex de IIC, Ex tb IIIC
- ▶ Automatic IP66/IP67 water-and dust-tight
- ▶ Integrated load-break switch
- ▶ Robust and compact design
- ▶ High performance GRP casing

TECHNICAL FEATURES

	DXN1	DXN3	DXN6
Rated current (In)	20 A	32 A	63 A
Umax	550 V	750 V	750 V
Auxiliary contacts (optional)	-	2	2
Keying positions ⁽¹⁾	<<< 24 >>>		
Ambient temperature	<<< -40 °C to +60 °C >>>		
Protection mode	<<< «de» and «tb» >>>		
ATEX zones	<<< Zones 1 and 2 (gas) Zones 21 and 22 (dusts) >>>		

[1] To distinguish between different power supplies and applications

MOUNTING: LOAD BREAK RELEASE BUTTON SHOULD BE AT THE TOP



DECONTACTOR™ DXN are conform to:

- The ATEX 2014/35/EU Directive,
- IEC/EN 60079-0, IEC/EN 60079-1, IEC/EN 60079-7 and IEC/EN 60079-31 international standards
- The essential safety requirements of IEC 60309-1 & IEC 60309-4 international and European standards (plugs and socket-outlets for industrial purposes),
- The switch utilization categories AC-22 and AC-23 described in IEC/EN 60947-3,
- The French NF C 15-100 standard,
- The European 'Machine Directive' 2006/42/CE regarding equipment isolation,
- The French decree dated 20 December 2011 pertaining to the wiring and operating conditions of movable electrical apparatuses,
- The decrees relating to workers' protection in Belgium, Spain and Italy,

Also certified by LCIE (ATEX and IECEx), NANIO (TR CU EAC), NCC (INMETRO) and cCSAus (French, Russian, Brazilian and American-Canadian* European and international notified bodies) and by BUREAU VERITAS MARINE.

[*] for North-American markets

DXN1

 DECONTACTOR™ HIGH PERFORMANCE  CASING

20 A IP66/IP67



WALL MOUNTING SOCKET DXN1



Wall box poly 30°
251AB53



Socket-outlet
2514017

PLUG DXN1



Straight handle poly
251A753



Inlet
2518017

MAIN FEATURES

Rated current (with wiring according to standard)	20 A	Flexible wiring (min-max)	1-4 mm ²
Maximum voltage	550 V	Stranded wiring (min-max)	1,5-6 mm ²
IP protection lid closed	IP66/IP67	Other wiring	on request
IP protection plug connected	IP66/IP67	Keying positions	24
Shock resistance	IK08	Protection mode	de, tb
Ambient temperature	-40 °C to +60 °C	ATEX zones	1 & 2, 21 & 22

TEMPERATURE RATING

Gas temperature classes	T6 for an ambient T° between -40 °C and +40 °C
	T5 for an ambient T° between -40 °C and +60 °C
Dust surface temperature classes	Surface T° ≤ 70 °C for an ambient T° between -40 °C and +40 °C
	Surface T° ≤ 90 °C for an ambient T° between -40 °C and +60 °C
Comply with EN 60309-1	20 A/550 V

SOCKET-OUTLET female DXN1 (20 A)



INLET male DXN1 (20 A)




Each socket outlet or inlet must be associated with a box, a sleeve or a handle.

20-24 V AC	2P	251408A	251808A
220-250 V AC	1P+N+E	2514015	2518015
380-440 V AC	3P+E	2514013	2518013
380-440 V AC	3P+N+E	2514017	2518017
480-500 V AC	3P+E	2514093	2518093
480-500 V AC	3P+N+E	2514097	2518097

► Other voltages, frequencies and contact configurations are available (see page 10).

MARECHAL ELECTRIC FRANCE

 II 2 G D	Ex de IIC	T* Gb
	Ex tb IIIC	T* Db
*-40 °C ≤ Ta ≤ +60 °C	T5	T90 °C
-40 °C ≤ Ta ≤ +40 °C	T6	T70 °C
IECEX LCI 09.0005X/LCIE 99 ATEX 6027 X		

DXN3

DECONTACTOR™ HIGH PERFORMANCE GRP CASING

32 A IP66/IP67



WALL MOUNTING SOCKET DXN3



Wall box poly 30 °
253A853

Socket-outlet
2534017



PLUG DXN3



Straight handle poly
253A753

Inlet
2538017

MAIN FEATURES

Rated current (with wiring according to standard)	32 A	Flexible wiring (min-max)	2,5-10 mm ²
Maximum voltage	750 V	Stranded wiring (min-max)	2,5-16 mm ²
IP protection lid closed	IP66/IP67	Other wiring	on request
IP protection plug connected	IP66/IP67	Keying positions	24
Shock resistance	IK08	Protection mode	de, tb
Ambient temperature	-40 °C to +60 °C	ATEX zones	1 & 2, 21 & 22

TEMPERATURE RATING

Gas temperature classes	T6 for an ambient T° between -40 °C and +40 °C
	T5 for an ambient T° between -40 °C and +60 °C
Dust surface temperature classes	Surface T° ≤ 57 °C for an ambient T° between -40 °C and +40 °C
	Surface T° ≤ 77 °C for an ambient T° between -40 °C and +60 °C
Comply with EN 60309-1	32 A/750 V

SOCKET-OUTLET female DXN3 (32 A)



INLET male DXN3 (32 A)



Each socket outlet or inlet must be associated with a box, a sleeve or a handle.

20-24 V AC	2P	253408A	253808A
220-250 V AC	1P+N+E	2534015	2538015
380-440 V AC	3P+E	2534013	2538013
380-440 V AC	3P+N+E	2534017	2538017
480-500 V AC	3P+E	2534093	2538093
480-500 V AC	3P+N+E	2534097	2538097
550 V AC - Auxiliaries 5 A	+ 2 contacts	Ref. + 972	Ref. + 972

► Other voltages, frequencies and contact configurations are available (see page 10).

MARECHAL ELECTRIC FRANCE

II2 G D	Ex de IIC	T* Gb
	Ex tb IIIC	T* Db
*-40 °C ≤ Ta ≤ +60 °C	T5	T77 °C
-40 °C ≤ Ta ≤ +40 °C	T6	T57 °C
IECEx LCI 09.0006/LCIE 05 ATEX 6149		



WALL MOUNTING SOCKET DXN6



Wall box poly 30°
256AB53

Socket-outlet
2564017

PLUG DXN6



Straight handle poly
256A753

Inlet
2568017

MAIN FEATURES

Rated current (with wiring according to standard)	63 A	Flexible wiring (min-max)	6-16 mm ²
Maximum voltage	750 V	Stranded wiring (min-max)	6-25 mm ²
IP protection lid closed	IP66/IP67	Other wiring	on request
IP protection plug connected	IP66/IP67	Keying positions	24
Shock resistance	IK09	Protection mode	de, tb
Ambient temperature	-40 °C to +60 °C	ATEX zones	1 & 2, 21 & 22

TEMPERATURE RATING

Gas temperature classes	T5 for an ambient T° between -40 °C and +40 °C
	T4 for an ambient T° between -40 °C and +60 °C
Dust surface temperature classes	Surface T° ≤ 87 °C for an ambient T° between -40 °C and +40 °C
	Surface T° ≤ 107 °C for an ambient T° between -40 °C and +60 °C
The essential safety requirements of IEC 60309-1	63 A/750 V

SOCKET-OUTLET female DXN6 (63 A)



INLET male DXN6 (63 A)




Each socket outlet or inlet must be associated with a box, a sleeve or a handle.

20-24 V AC	2P	256408A	256808A
220-250 V AC	1P+N+E	2564015	2568015
380-440 V AC	3P+E	2564013	2568013
380-440 V AC	3P+N+E	2564017	2568017
480-500 V AC	3P+E	2564093	2568093
480-500 V AC	3P+N+E	2564097	2568097
550 V AC - Auxiliaries 5 A	+ 2 contacts	Ref. + 972	Ref. + 972








► Other voltages, frequencies and contact configurations are available (see page 10).

MARECHAL ELECTRIC FRANCE

 II 2 G D	Ex de IIC	T* Gb
	Ex tb IIIC	T* Db
*-40 °C ≤ Ta ≤ +60 °C	T5	T107 °C
-40 °C ≤ Ta ≤ +40 °C	T6	T87 °C
IECEX LCI 09.0007/LCIE 05 ATEX 6150		



OPTIONS (DETAILS ON PAGE 216)

	DXN1 size 1	DXN3 size 2	DXN6 size 3
LOCKING PIN FOR 2 PADLOCKS Ø 8 mm (PADLOCKS NOT SUPPLIED)			
	Socket-outlet ref. + 843	Socket-outlet ref. + 843	Socket-outlet ref. + 843
SAFETY HASP FOR UP TO 6 PADLOCKS			
	873A541	873A541	873A541
INLET CAP IP66/67			
	251A426	253A426	256A426
IN-LINE CONNECTIONS (A PAIR OF FINGER DRAW PLATES TO AID CLOSING)			
	611A346	311A346	313A346
180° OPENING LID			
	Metal socket ref. + 10	Metal socket ref. + 10	Metal socket ref. + 10
SELF-RETURNING LID (WITHOUT FULL CLOSURE IP40)			
	Socket-outlet ref. +R	Socket-outlet ref. +R	Socket-outlet ref. +R
180° OPENING & SELF-RETURNING LID			
	Socket-outlet ref. + 18	Socket-outlet ref. + 18	Socket-outlet ref. + 18
COMPATIBLE WITH DSN1 SOCKET			
	Nous consulter	Nous consulter	NA
SELF-EJECTING (see References AND OPTIONS DETAILS PAGE 228)			
			



ACCESSORIES (SEE PAGE 238 TO CROSS REFERENCE WITH OLDER PART NUMBERS)

BOXES



DXN1
size 1

DXN3
size 2

DXN6
size 3

WALL BOX POLY WITH EX POLY CABLE GLAND



30°	6-10 mm	251AB5316P		
30°	7-14 mm	251AB53	253AB53	
30°	10-18 mm	251AB5325P	253AB5325P	256AB53

WALL BOX POLY WITHOUT CABLE GLAND



30°	M20	251AB53417	253AB53417	
30°	M25	251AB53418	253AB53418	256AB53418

WALL BOX POLY WITHOUT TERMINAL BLOCKS



120 X 120 mm

160 X 160 mm

FOR DXN1

FOR DXN3/6

30°	7-14 mm	251AB8820P	253AB8820P	256AB8820P
30°	10-18 mm	251AB8825P	253AB8825P	256AB8825P
30°	17-24 mm	251AB8832P	253AB8832P	256AB8832P
30°	17-31 mm			256AB8840P

WALL BOX POLY WITH TERMINAL BLOCKS (IECEX LCIE 16.0042X/LCIE 16 ATEX 3054X)



120 X 120 mm

160 X 160 mm

FOR DXN1

FOR DXN3/6

30°	7-14 mm	251A08820P ⁽¹⁾	253A08820P ⁽²⁾	256A08820P ⁽³⁾
30°	10-18 mm	251A08825P ⁽¹⁾	253A08825P ⁽²⁾	256A08825P ⁽³⁾
30°	17-24 mm		253A08832P ⁽²⁾	256A08832P ⁽³⁾
30°	17-31 mm			256A08840P ⁽³⁾

- With 2 holes (1 with a cable gland + 1 with a stopping plug), with 8+2E 4 mm² terminals blocks + 2,5 mm² wires, wiring 1 - 4mm².
For alternatives, please contact us.
- With 2 holes (1 with a cable gland + 1 with a stopping plug), with 8+2E 10 mm² terminals blocks + 6 mm² wires, wiring 2.5 - 10mm².
For alternatives, please contact us.
- With 2 holes (1 with a cable gland + 1 with a stopping plug), with 8+2E 16 mm² terminals blocks + 16 mm² wires, wiring 6 - 16mm².
For alternatives, please contact us.

IN THIS CONFIGURATION

-40 °C ≤ Ta ≤ +55 °C T4 T105 °C
-40 °C ≤ Ta ≤ +50 °C T5 T95 °C

LEGEND FOR OPTIONAL ACCESSORIES



Angle



Threading or gland size



EMC option









HT 240° C




Self-ejection






INFO +

SLEEVE		DXN1 size 1	DXN3 size 2	DXN6 size 3
INCLINED POLY SLEEVE				
	30°	251A057	253A027	256A027
	70°	251A757	253A757	256A757

HANDLE		DXN1 size 1	DXN3 size 2	DXN6 size 3	
POLY HANDLE WITH POLY CABLE GLAND					
	7-14 mm	251A753	253A753	256A25320P	Ref. +443
	10-18 mm	251A25325P	253A783	256A753	Ref. +443
	17-24 mm	251A25332P	253A25332P	256A25332P	Ref. +443
	17-31 mm		253A25340P	256A25340P	Ref. +443

STRAIGHT POLY HANDLE WITH METAL CABLE GLAND WITH EARTH CONTINUITY					
	8-10 mm	251A25320M	253A25320M	256A25320M	
	12-14 mm	251A25325M	253A25325M	256A25325M	
	18-24 mm	251A25332M	253A25332M	256A25332M	

LEGEND FOR OPTIONAL ACCESSORIES

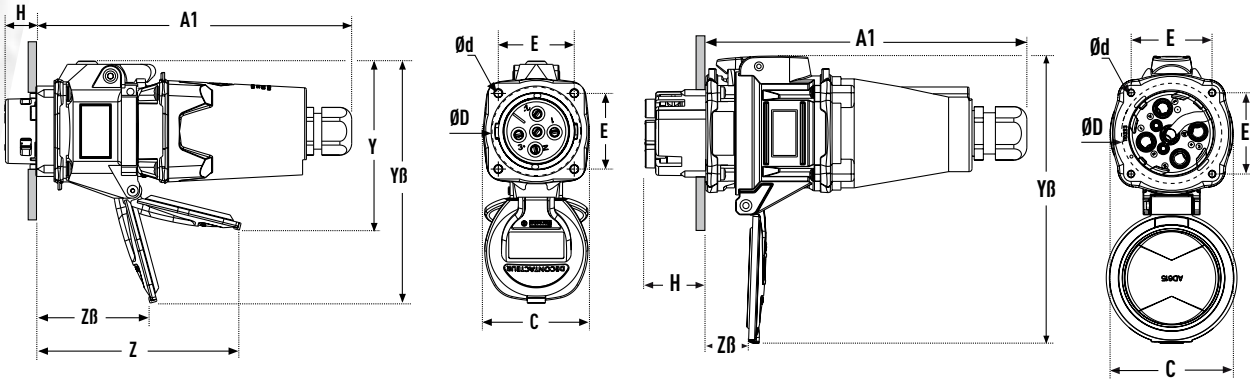
-  Angle
-  Threading or gland size
-  EMC option
-  HT 240° C
-  Self-ejection

INFO +

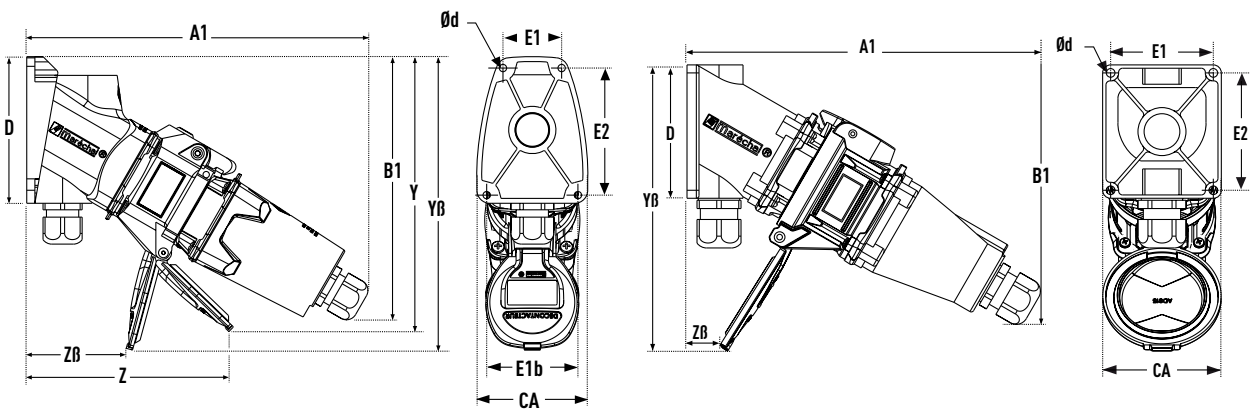


DIMENSIONS

DXN1/DXN3/DXN6



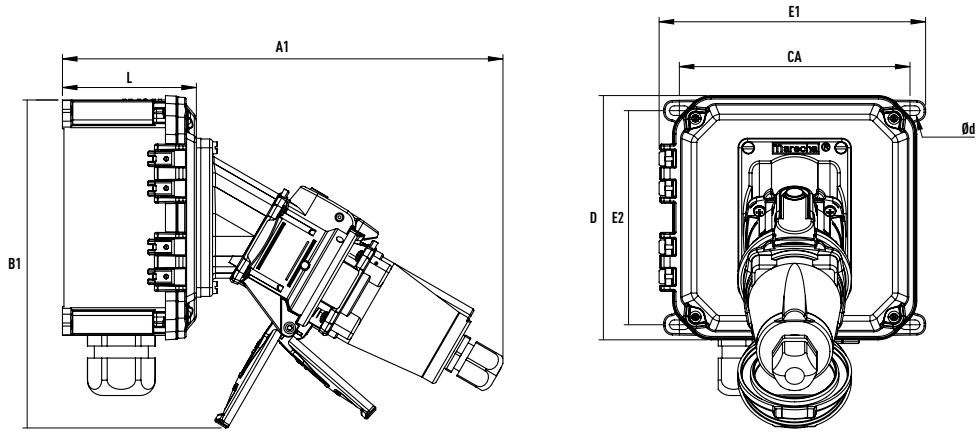
	A1	C	E	H	Y	YB	Z	ZB	Ød*	ØD max
DXN1	165	58	42	27	89	134	104	53	4,5	51
DXN3	190	77	48	29	-	171	-	39	5	57
DXN6	218	84	55	30	-	195	-	50	5	68



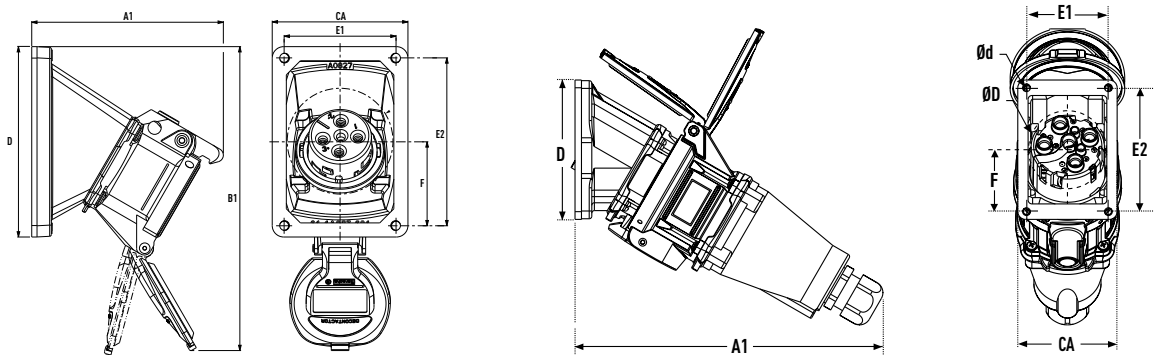
	A1	B1	CA	D	E1	E1b	E2	Y	YB	Z	ZB	Ød*
DXN1	209	162	68	90	36	56	78	166	180	127	61	4,5
DXN3	226	166	84	84	70	/	70	/	191	/	30	6
DXN6	265	195	89	100	77	/	88	/	225	/	41	6,5

*Ød : maximum drilling diameter.

DXN1/DXN3/DXN6



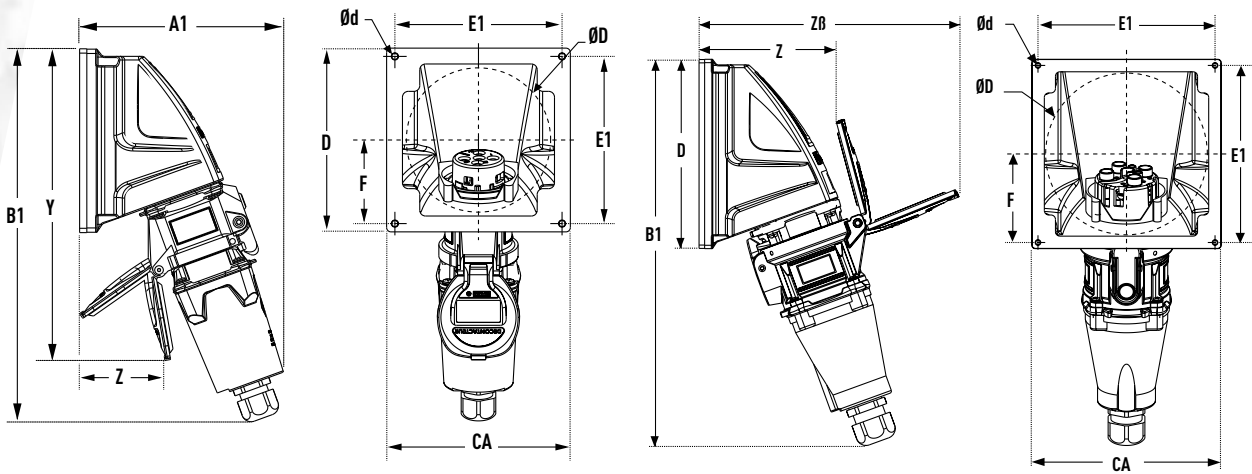
	A1	B1	CA	D	E1	E2	L	Ød*
DXN1	282	185	117	126	141	105.5	91	6,5
DXN3	299	223	157	166	181	145.5	91	6,5
DXN6	327	229	157	166	181	145.5	91	6,5



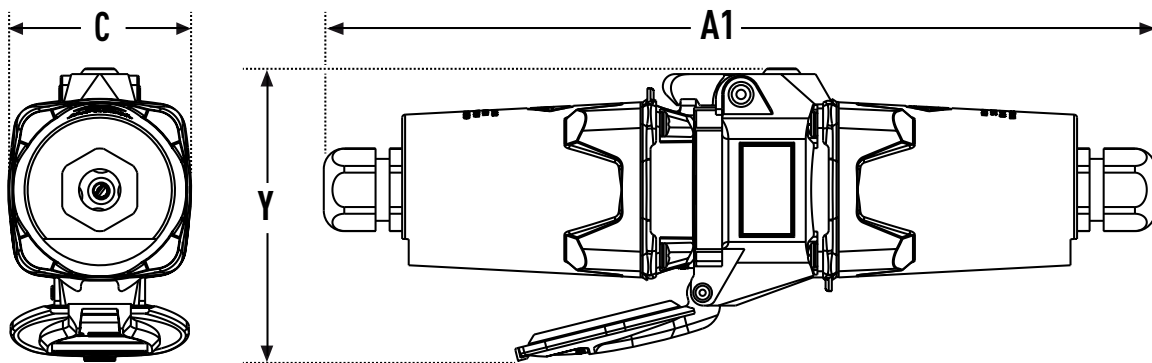
	A1	B1	CA	D	E1	E2	F	Ød*	ØD max
DXN1	109	172	77	108	63,5	95	48	5	60
DXN3	205	167	77	108	63	95	37	5,5	60
DXN6	239	190	77	108	64	95	40	5,5	60

*Ød : maximum drilling diameter.

DXN1/DXN3/DXN6



	A1	B1	CA	D	E1	F	Y	Z	Ød*	ØD max
DXN1	141	259	128	128	116	58	216	59	5	100
DXN3	141	278	128	128	116	58	242	8	5	100
DXN6	176	347	170	170	159	79,5	303	74	5	145



	A1	C	Y
DXN1	266	58	89
DXN3	304	71	118
DXN6	350	84	122

*Ød : maximum drilling diameter.